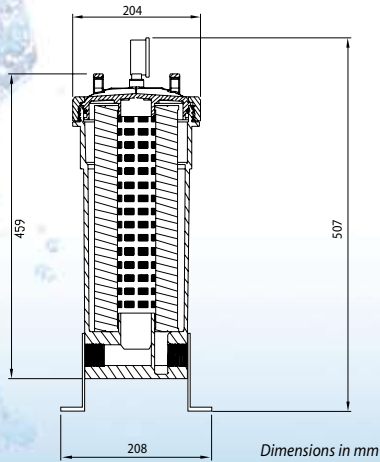


Technical Data

Working Pressure: 400 kPa (58psi)
Maximum Temperature: 40°C (100°F)

Tank: Polypropylene
Tank ports: 25mm female BSP thread
Lock Ring: Glass-filled polypropylene
Element: Polyester fabric material, PU end caps, ABS core
Pressure Drop: 20kPa
Seals: Nitrile rubber



Model	Micron Ratings	Max. Flow Rate	Surface Area	Cartridge Length	Cartridge Diameter
Model	30 & 5	95L / min	2.3m ²	340mm	127mm

Caution: Do not use for drinking water applications where water is microbiologically unsafe or where the water is of unknown quality.

Waterco Limited

Established since 1981, Waterco is an Australian Public Listed Company with a strong international presence in the water industry.

We pride ourselves on having extremely high manufacturing standards and export quality products available in over 40 countries via our branches in Australia, New Zealand, Malaysia, China, UK, Canada and USA.



WATERCO

Water, the liquid of life

www.waterco.com

Waterco Limited ABN 62 002 070 733

OFFICES - AUSTRALIA

QLD Brisbane Tel: +61 7 3299 9900	NSW (HEAD OFFICE) Sydney Tel: +61 2 9898 8686	WA Perth Tel: +61 8 9273 1900
SA / NT Adelaide Tel: +61 8 8244 6000	VIC / TAS Melbourne Tel: +61 3 9764 1211	ACT (Distributor) Canberra Tel: +61 2 6280 6476

OFFICES - OVERSEAS

NEW ZEALAND Auckland Tel: +64 9 525 7570	MALAYSIA Selangor Tel: +60 3 6145 6000	PT WATERCO INDONESIA Jakarta Utara Tel: +62 21 4585 1481
CHINA Guangzhou Tel: +8620 3222 2180	EUROPE Kent, ME9 9ps, UK Tel: +44(0) 1795 521 733	
CANADA St-Hyacinthe, QC Tel: +1 450 796 1421	USA Augusta, Georgia Tel: +1 706 793 7291	

Slimline Filter

Compact cartridge filtration

Minimal space requirements

Pleated filter cartridge increases filter capacity

Washable Synthetic filter

Long-lasting fabric

Innovative lock ring lid for ease of use and maintenance



Distributed by:

ZZB0901 5/08

WATERCO
Water, the liquid of life

Member
WATER QUALITY ASSOCIATION



Slimline cartridge filter

The Slimline takes up a mere 250 sq cm of valuable floor space. Not only is it smart on space, it's also smart on design. The lock ring lid makes cartridge removal and replacement so easy. No additional tools are needed.



Compact filter cartridge

Constructed of long-lasting & reusable polyester fabric.

Has multiple compact pleats providing 2.3 metres of surface area - maximum dirt holding, reduces cleaning frequency.

Simple Maintenance

- Stage 1 : Unscrew the lock ring and remove the lid.
- Stage 2 : Remove the cartridge from the housing and hose off the trapped sediment from the cartridge pleats.
- Stage 3 : Reinsert cleaned cartridge into the housing. Replace lid. Screw lock ring over lid. Filter tank is now ready for use.

