

MICRON HIGH RATE SAND FILTER

PROVEN STRENGTH AND DURABILITY

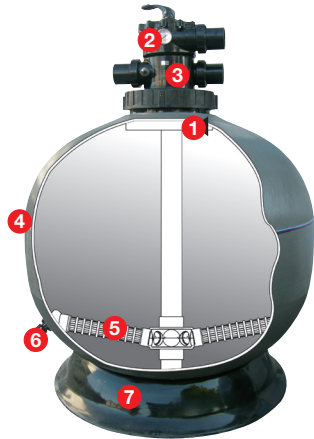
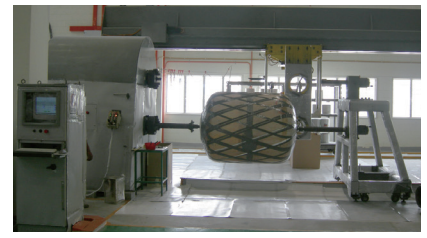
Waterco Micron top mount fiberglass filters embody the latest in fiberglass winding technology. The Micron Series filters are constructed from anticorrosive, nontoxic materials and are engineered to withstand cyclic wear and tear.

- Fishtail Laterals improve backwashing hydraulic efficiency
- Supplied with 1 1/2" or 2" multiport valve
- Maximum operating pressure: 50p.s.i
- 10 Year tank warranty



Filament Wound Filters

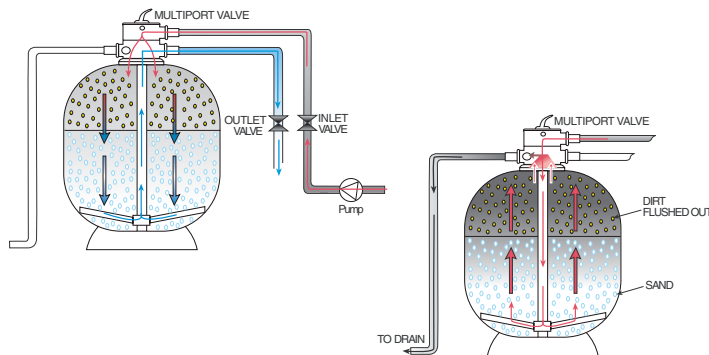
Micron fiberglass filters embody the latest in fiberglass winding technology. Micron fiberglass vessels consist of an inner shell of fiberglass reinforced polyester resin wound over with fiberglass filament. Waterco's digitally controlled filament winding machine faultlessly winds continuous strands of high quality fiberglass filament under controlled tension filament to create a seamless one-piece vessel with refined consistency and superior quality. There are no welds or seams or special tank linings which can corrode or electrolyse.



1. Inflow diffuser for even distribution of water flow across the filter bed.
2. Pressure gauge.
3. Six position Multiport valve with sight glass and quick connect half unions.
4. Fiberglass wound tank, UV and Corrosion Resistant.
5. Hydraulically balanced laterals to maximize water flow and filtration.
6. Manual Drain*
7. Large filter base for stable floor mounting.

Depth Filtration

Micron filters operate on the basis of "depth filtration"; dirt is driven through the filter bed and trapped in minute spaces between the particles of filter media allowing the cleansed water to pass through the filter's laterals and exit via the filter's Multiport valve.



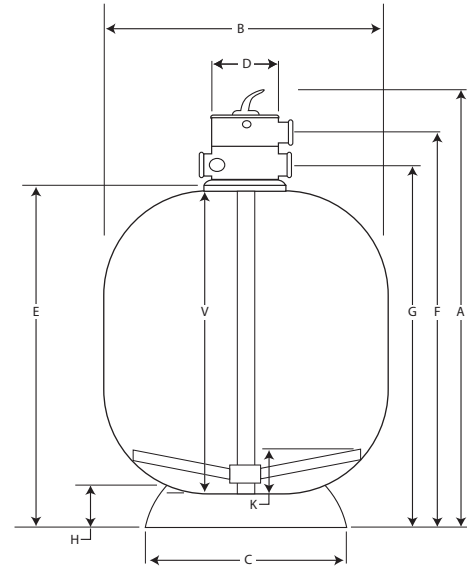
Simple Maintenance

The effectiveness and efficiency of the filter is impaired by excessive build up of debris, clogging the media, which will result in pressure build up and poor circulation. Cleaning the filter simply requires turning the filter's Multiport lever from the "filter" position to the "backwash" position, which reverses the flow of water in the filter, flushing the filter bed.

Warranty

Waterco shows its ultimate confidence in its range of Micron Top Mount Sand Filters by offering a 10-year* tank warranty and 1 year warranty on all other components.

* Commercial applications attract a 5-year (1 year full plus 4 years pro rata) tank warranty



Technical Specification

Model	Bed Depth	Inner Diameter	Filter Area	Max. Flow*	Max Pool Size	Backwash Flow Rate	Media Volume	Glass Pearl 0.6-0.8	Sand 16/30
	in	in	ft ²	gpm	gal.	gpm	gal	lb	lb
S500	1.5	20	2.15	41	14.9K	34 - 43	17	250	225
S600	1.5	24	3.01	59	21.5K	49 - 62	28	400	375
S750	2.0	30	4.73	93	33.6K	77 - 97	47	400	375
S900	2.0	36	6.88	134	48.3K	112 - 140	85	700	825

Dimensions (in)

Model	A	B	C	D	E	F	G	H	V	K
S500	34"	19.8"	17.4"	7"	24.6"	28.7"	26.4"	2.7"	20.6"	3.7"
S600	38.1"	24.4"	21.2"	7"	28.3"	32.7"	30.6"	3.4"	24.4"	5.3"
S750	47.9"	30.3"	24.4"	8.6"	34.1"	40.8"	36.8"	3.5"	30.4"	5"
S900	48.5"	35.8"	24.4"	8.6"	34.8"	41.4"	37.5"	3.5"	30.9"	6.4"

OFFICES - North America

Waterco (USA) Inc
Augusta, Georgia, USA
Tel: +1 706 793 7291
Waterco Canada
Longueuil, Quebec, Canada
Tel: +1 450 748 1421

OFFICES - OVERSEAS

NSW - Sydney (Head Office)
Tel: +61 2 9898 8600
Waterco (Europe) Limited
Sittingbourne, Kent, UK
Tel: +44 (0) 1795 521 733
Waterco (NZ) Limited
Auckland, New Zealand
Tel: +64 9 525 7570
Waterco (C) Limited
Guangzhou, China
Tel: +86 20 3222 2180

Waterco (Far East) Sdn Bhd
Selangor, Malaysia
Tel: +60 3 6145 6000
PT Waterco Indonesia
Jakarta, Indonesia
Tel: +62 21 4585 1481
Waterco Singapore Int'l Pte Ltd
Nehsons Building, Singapore
Tel: +65 6344 2378

DISTRIBUTED BY:

WATERCO
water, the liquid of life



ZZB1935 07/18