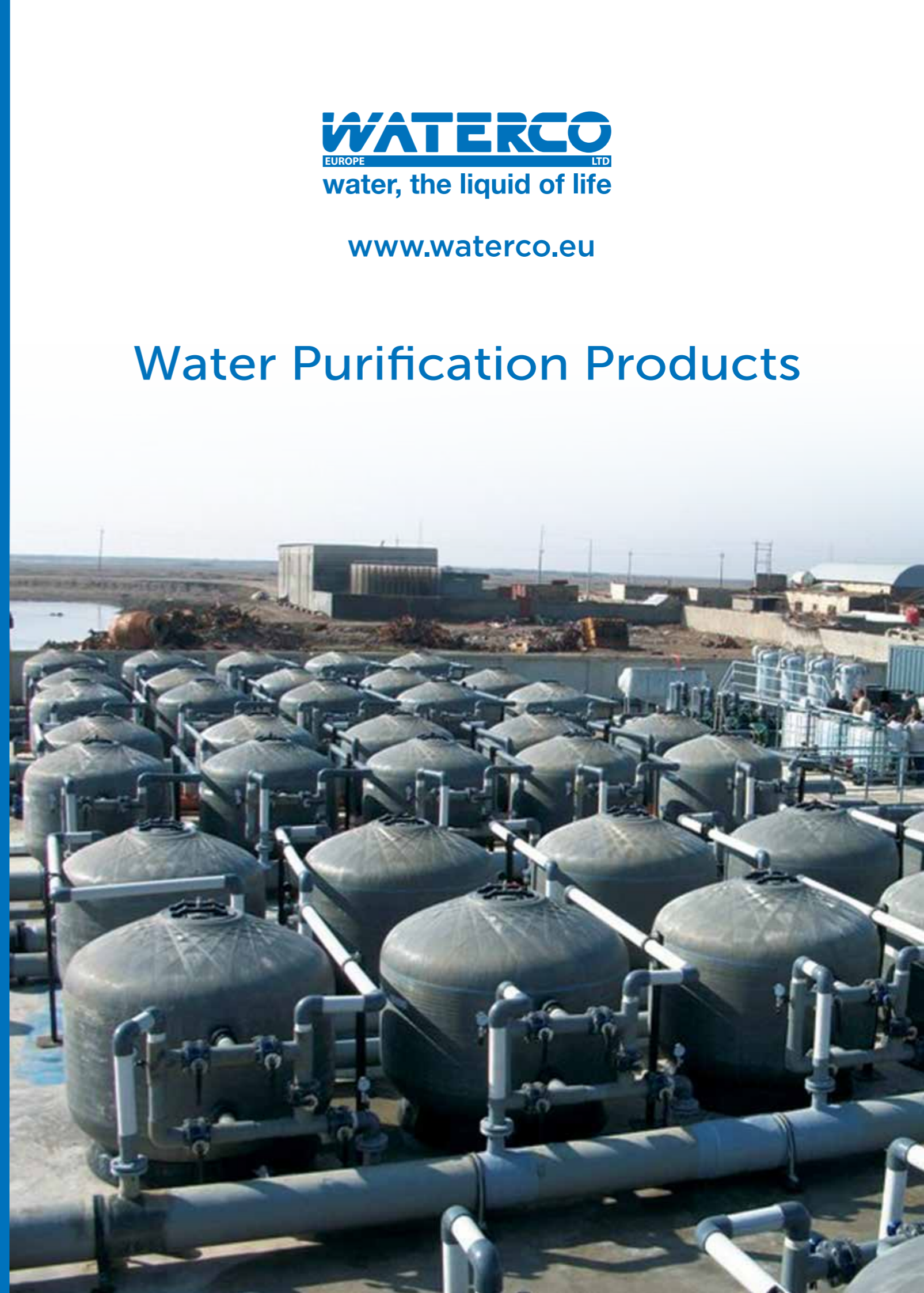


Water Purification Products



Australia

NSW - Sydney
(HEAD OFFICE)
Tel : +61 2 9898 8600

VIC / TAS - Melbourne
Tel : +61 3 9764 1211

WA - Perth
Tel : +61 8 9273 1900

QLD - Brisbane
Tel : +61 7 3299 9900

SA / NT - Adelaide
Tel : +61 8 8244 6000

ACT Distributor
Tel : +61 2 6280 6476

International

Waterco (Europe) Limited
Sittingbourne, Kent, UK
Tel : +44(0) 1795 521 733

Waterco USA
Augusta, Georgia, USA
Tel : +1 706 793 7291

Waterco Canada
Boucherville, Quebec, Canada
Tel : +1 450 748 1421

Waterco (NZ) Limited
Auckland, New Zealand
Tel : +64 9 525 7570

Waterco (C) Limited
Guangzhou, China
Tel : +86 20 3222 2180

Waterco (Far East) Sdn. Bhd.
Selangor, Malaysia
Tel : +60 3 6145 6000

PT Waterco Indonesia
Jakarta, Indonesia
Tel : +62 21 4585 1481

Waterco International Pte Ltd
Nehsons Building, Singapore
Tel : +65 6344 2378

Established since 1981, Waterco is an Australian public listed company involved in the manufacture and distribution of:

- Commercial water treatment equipment
- Swimming pool/spa equipment and chemicals
- Domestic water filters, softeners and purifiers

Waterco's research & development team have created an innovative range of award winning products.

The company's advanced fibreglass winding and pioneering plastic moulding techniques have delivered premium quality products to over 40 countries via its branches and international distributors.

Table of Contents

MEDIA FILTERS 2

WATER TREATMENT 12

MEDIA 20

HYDROCYCLONIC FILTERS 22

Micron Commercial Fibreglass Filters

Designed and built for high performance and reliability



Micron Fibreglass Filters

Micron fibreglass filters embody the latest in fibreglass winding technology. Waterco's digitally controlled filament winding machine faultlessly winds continuous strands of high quality fibreglass filament under controlled tension to create a seamless one-piece vessel with refined consistency and superior quality. There are no welds or seams or special tank linings which can corrode or electrolyse.

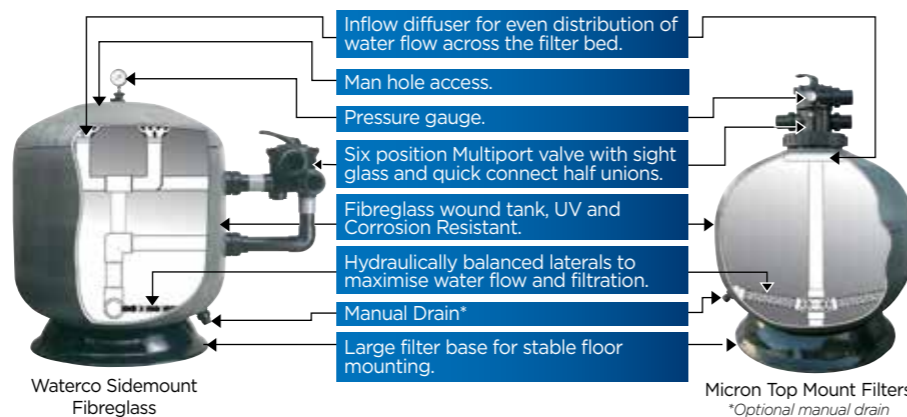


Manufactured from the highest grade of non corrosive materials and employing the latest in fibreglass winding technology, Micron fibreglass filters are designed and built for many years of trouble free operation.

- Available in top mount, side mount and horizontal configurations from filter areas of 0.87m² to 10.0m².
- Pressure rated at 250 kPa (36 psi), 400 kPa (58 psi), 600 kPa (87psi), 800kPa (116 psi) and up to 1000kpa (145 psi)

- Optional sight glasses and lateral man holes.
- Optional fibreglass reinforced vinyl ester for improved chemical resistance.
- BS-EN13121:2016, DN19605:2016-05, AS1210, AS4020, NSF50 vessels available
- Multiple flange options available, e.g. ANSI, Table E, Table D

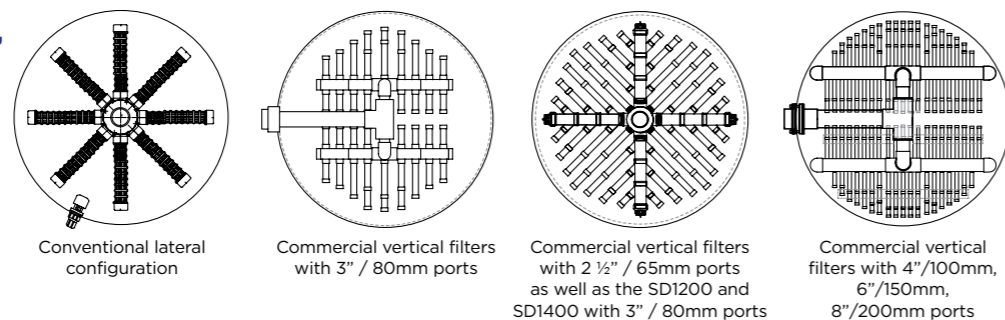
Waterco Micron Top and Sidemount Fibreglass Filters



- Maximum working temperature of 50°C (122°F)

Micron "Fish Bone" laterals

Conventional laterals are not suitable for larger sized commercial filters. "Dead legs" exist between the laterals and water flow is not optimised through the filter bed. Waterco's "Fish Bone" lateral configuration eliminates any "dead legs" by improving water flow distribution through the filter bed.



Sidemount Deep Bed Filters

Proven Strength and Durability

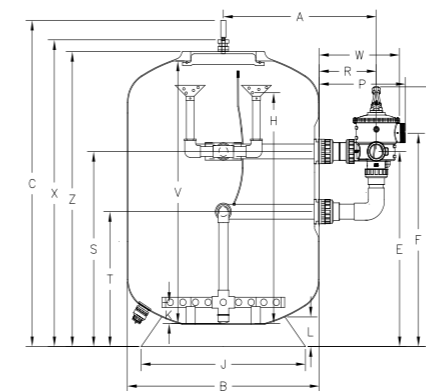


Micron Sidemount Deep Bed Filters

(SMD - 1000mm filter bed depth)

The effect of deep media bed improves the filtration efficiency over standard High-rate filters by providing enhanced in-depth filtration and increased dirt capacity. In addition, the greater bed depth permits efficient use of mixed bed filter media and water treatment media such as granular activated carbon.

The filter's 1000mm media bed ensures that finer dirt particles and colloidal substances are retained to a far greater level than a filter with a shallower bed depth.



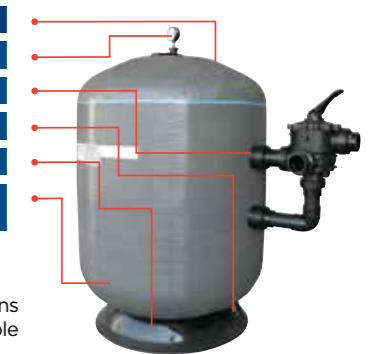
Model	Filter Shipping Weight (2.5bar)	Shipping Volume
SMD750	58 kg	1.20 m ³
SMD900	155 kg	1.80 m ³
SMD1050	162 kg	2.13 m ³
SMD1200	175 kg	2.80 m ³
SMD1400	270 kg	3.99 m ³
SMD1600	330 kg	5.28 m ³
SMD1800	429 kg	6.67 m ³
SMD2000	500 kg	7.86 m ³

COMMERCIAL SIDEMOUNT DEEP BED FILTERS (SMD)

1000mm filter bed depth ranges from 2.5 up to 10 bar

- Large double yoke lid with lifting eye
- Pressure gauge
- Quick connect unions (Up to and including SMD2000)
- Water purge and sand dump port
- Large stable base
- Fish Tail lateral configuration for maximum hydraulic performance

- 1m bed depth
- Ultra smooth bobbin finish
- Available in 2.5 bar, 4 bar, 6 bar, 8 bar and up to 10 bar pressure ratings
- Vinylester resin coating available
- Quick connect unions
- Nozzle plate available upon request



Specifications

Filter Model	Port Size mm	Bed Depth mm	Inner Diameter mm	Filter Area m ²	Filtration Flow Rates		Backwash Flow Rates		Media Volume litres	Sand 16/30 kg	Glass Pearls 0.6-0.8 kg
					30m ³ /hr/m ²	36m ³ /hr/m ²	40m ³ /hr/m ²	50m ³ /hr/m ²			
SMD750	63	1000	750	0.44	13	16	18	22	458	670	703
SMD900	75	1000	900	0.64	19	23	25	32	663	1060	1016
SMD1050	75	1000	1050	0.87	26	31	35	43	973	1420	1571
SMD1050	90	1000	1050	0.87	26	31	35	43	966	1410	1560
SMD1200	75	1000	1200	1.13	34	41	45	57	1219	1780	1903
SMD1200	90	1000	1200	1.13	34	41	45	57	1175	1715	1903
SMD1200	110	1000	1200	1.13	34	41	45	57	1192	1740	1925
SMD1400	90	1000	1400	1.54	46	55	62	77	1723	2515	2782
SMD1400	110	1000	1400	1.54	46	55	62	77	1637	2390	2644
SMD1600	90	1000	1600	2.01	60	72	80	101	2171	3170	3385
SMD1600	110	1000	1600	2.01	60	72	80	101	2092	3055	3385
SMD1600	160	1000	1600	2.01	60	72	80	101	2123	3100	3429
SMD1800	110	1000	1800	2.54	76	92	102	127	2880	4205	4651
SMD1800	160	1000	1800	2.54	76	92	102	127	2904	4240	4690
SMD2000	110	1000	2000	3.14	94	113	126	157	3521	5140	5636
SMD2000	160	1000	2000	3.14	94	113	126	157	3490	5095	5636

* Recommended maximum flow rates for port size: 63mm(EU), 510 lpm, 30.6m³/hr 75mm(EU), 760 lpm, 45.6m³/hr 90mm(EU), 1080 lpm, 64.8m³/hr 110mm(EU), 1800 lpm, 108m³/hr 160mm(EU), 3420 lpm, 205.2m³/hr

Dimension - SMD (mm)

Model	A	B	C	W	R	P	E	F	K	V	H	L	X	Y	Z	J	S	T
SMD750	901	1110	1930	510	363	548	1100	1210	220	1605	1470	176	1845	1482	1775	1045	1100	744
SMD900	719	923	1918	389	298	193	1300	1426	223	1580	1473	155	1833	1610	1763	735	1300	1000
SMD1050	796	1110	1930	389	298	193	1044	1170	220	1605	1470	176	1845	1354	1775	1045	1044	744
SMD1050	918	1110	1930	510	363	548	1100	1210	220	1605	1470	176	1845	1482	1775	1045	1100	744
SMD1200	873	1229	1935	389	298	193	1098	1224	190	1590	1440	176	1850	1408	1780	1045	1098	798
SMD1200	977	1229	1935	510	363	548	1154	1264	150	1590	1400	176	1850	1536	1780	1045	1154	798
SMD1200	1558	1229	1935	943	474	629	760	422	180	1590	1430	176	1850	760	1780	1045	1192	760
SMD1400	1083	1442	1955	510	363	548	1204	1314	250	1615	1500	218	1870	1586	1800	1202	1204	848
SMD1400	1664	1442	1955	943	474	629	810	472	200	1615	1450	218	1870	810	1800	1202	1242	810
SMD1600	1184	1644	1994	510	363	548	1151	1261	220	1615	1500	218	1909	1533	1839	1202	1151	795
SMD1600	1765	1644	1994	943	474	629	757	419	180	1615	1430	218	1909	757	1839	1202	1189	757
SMD1600	-	1644	1994	-	-	-	-	-	220	1615	1470	218	1909	-	1839	1202	1200	717
SMD1800	1863	1839	1985	943	474	629	751	413	225	1710	1475	315	1900	751	1830	1755	1183	751
SMD1800	-	1839	1985	-	-	-	-	-	320	1710	1570	315	1900	-	1830	1755	1168	685
SMD2000	1964	2042	2063	943	474	629	758	420	300	1765	1550	245	1978	758	1908	1755	1190	758
SMD2000	-	2042	2063	-	-	-	-	-	300	1765	1550	245	1978	-	1908	1755	1215	732

*NOTE: Connection measurements may vary depending on connection type

Sidemount Deep Bed Filters

Proven Strength and Durability

Micron Sidemount Deep Bed Filters
(SMDD - 1200mm filter bed depth)

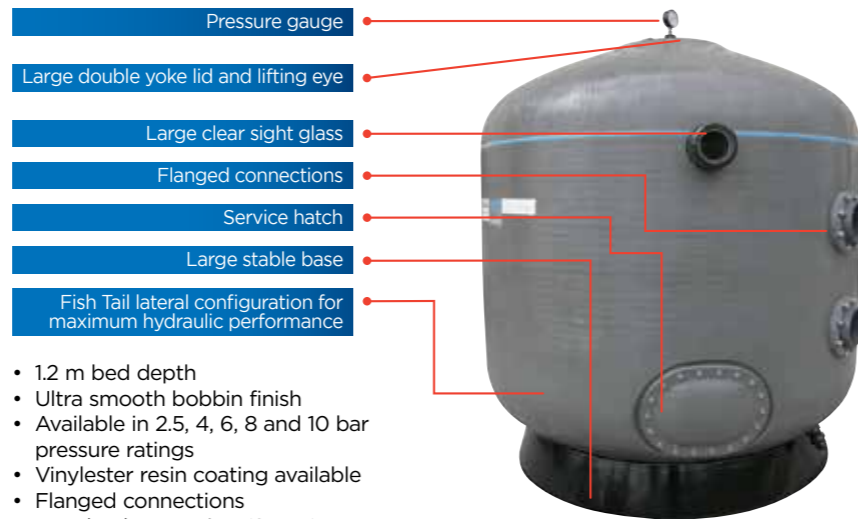
The effect of deep media bed improves the filtration efficiency over standard High-rate filters by providing enhanced in-depth filtration and increased dirt capacity. In addition, the greater bed depth permits efficient use of mixed bed filter media and water treatment media such as granular activated carbon.

The filter's 1200mm media bed ensures that finer dirt particles and colloidal substances are retained to a far greater level than a filter with a shallower bed depth.

COMMERCIAL SIDE MOUNT DEEP BED FILTERS (SMDD)

1200mm filter bed depth ranges from 2.5 to 10 bar

Micron Side Mount Deep Bed Sand Filter - SMDD Model



- 1.2 m bed depth
- Ultra smooth bobbin finish
- Available in 2.5, 4, 6, 8 and 10 bar pressure ratings
- Vinyl ester resin coating available
- Flanged connections
- Nozzle plate version (SPDD)



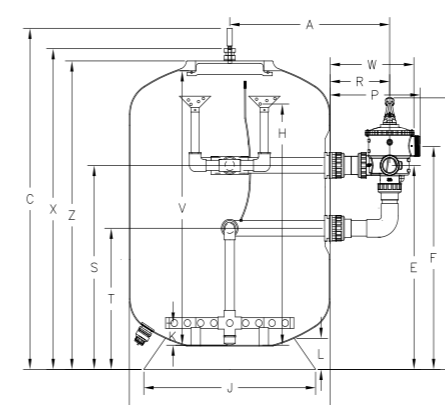
Sidemount Deep Bed Filters

Proven Strength and Durability

Specifications

Filter Model	Port Size	Bed Depth	Inner Diameter	Filter Area	Filtration Flow Rates		Backwash Flow Rates		Media Volume	Sand 16/30	Glass Pearls 0.6-0.8
					30m ³ /hr/m ²	36m ³ /hr/m ²	40m ³ /hr/m ²	50m ³ /hr/m ²			
SMDD750	63	1200	750	0.44	13	16	18	22	545	795	879
SMDD900	63	1200	900	0.64	19	23	25	32	784	1145	1267
SMDD900	75	1200	900	0.64	19	23	25	32	784	1145	1267
SMDD900	90	1200	900	0.64	19	23	25	32	822	1200	1327
SMDD1050	75	1200	1050	0.87	26	31	35	43	1144	1670	1847
SMDD1050	90	1200	1050	0.87	26	31	35	43	1140	1665	1842
SMDD1200	75	1200	1200	1.13	34	41	45	57	1442	2105	2262
SMDD1200	90	1200	1200	1.13	34	41	45	57	1401	2045	2262
SMDD1200	110	1200	1200	1.13	34	41	45	57	1414	2065	2284
SMDD1400	90	1200	1400	1.54	46	55	62	77	2031	2965	3280
SMDD1400	110	1200	1400	1.54	46	55	62	77	1945	2840	3142
SMDD1600	90	1200	1600	2.01	60	72	80	101	2548	3720	4076
SMDD1600	110	1200	1600	2.01	60	72	80	101	2524	3685	4076
SMDD1800	110	1200	1800	2.54	76	92	102	127	3192	4660	5155
SMDD1800	160	1200	1800	2.54	76	92	102	127	3408	4975	5503
SMDD2000	110	1200	2000	3.14	94	113	126	157	4147	6055	6698
SMDD2000	160	1200	2000	3.14	94	113	126	157	4171	6090	6737
SMDD2200	160	1200	2200	3.80	114	137	152	190	5223	7625	8435
SMDD2350	160	1200	2350	4.34	130	156	173	217	5808	8480	9380
SMDD2500	160	1200	2500	4.91	147	177	196	245	6538	9545	10558

* Recommended maximum flow rates for port size :
 63mm(EU), 510 lpm, 30.6m³/hr
 75mm(EU), 760 lpm, 45.6m³/hr
 90mm(EU), 1080 lpm, 64.8m³/hr
 110mm(EU), 1800 lpm, 108m³/hr
 160mm(EU), 3420 lpm, 205.2m³/hr



Dimension - SMDD (mm)

Model	A	B	C	W	R	P	E	F	K	V	H	L	X	Y	Z	J	S	T
SMDD750	613	772	2044	334	262	191	1586	1688	113	1780	1713	120	2011	1845	1938	678	1586	1383
SMDD900	689	923	2107	334	262	191	1619	1721	113	1800	1713	155	2074	1878	2001	735	1619	1416
SMDD900	719	923	2268	389	298	193	1624	1750	223	1930	1823	155	2183	1934	2113	735	1624	1324
SMDD900	824	923	2268	510	363	548	1680	1790	190	1930	1780	155	2183	2062	2113	735	1680	1324
SMDD1050	796	1077	2270	389	298	193	1594	1720	220	1950	1820	176	2185	1904	2115	1045	1594	1294
SMDD1050	901	1077	2270	510	363	548	1650	1760	220	1950	1820	176	2185	2032	2115	1045	1650	1294
SMDD1200	873	1229	2243	389	298	193	1609	1735	190	1900	1790	176	2158	1919	2088	1045	1609	1309
SMDD1200	977	1229	2243	510	363	548	1665	1775	150	1900	1750	176	2158	2047	2088	1045	1665	1309
SMDD1200	1558	1229	2243	943	474	629	883	545	180	1900	1780	176	2158	883	2088	1045	1315	883
SMDD1400	1083	1442	2313	510	363	548	1618	1728	250	1970	1860	218	2228	2000	2158	1202	1618	1262
SMDD1400	1664	1442	2313	943	474	629	898	560	200	1975	1800	218	2228	898	2158	1202	1330	898
SMDD1600	1184	1644	2285	510	363	548	1383	1493	205	1950	1805	218	2200	1765	2130	1202	1383	1027
SMDD1600	1765	1644	2285	943	474	629	989	651	200	1950	1800	218	2200	989	2130	1202	1421	989
SMDD1800	1863	1839	2260	943	474	629	866	528	210	2010	1810	315	2175	866	2105	1755	1298	866
SMDD1800	-	1839	2260	-	-	-	-	-	320	2010	1920	315	2175	-	2105	1755	1383	900
SMDD2000	1964	2042	2398	943	474	629	878	540	300	2100	1900	245	2313	878	2243	1755	1310	878
SMDD2000	-	2042	2398	-	-	-	-	-	320	2100	1920	245	2313	-	2243	1755	1310	827
SMDD2200	-	2245	2415	-	-	-	-	-	380	2090	1980	245	2330	-	2260	1755	1386	903
SMDD2350	-	2390	2435	-	-	-	-	-	355	2118	1955	340	2330	-	2330	2037	1500	1017
SMDD2500	-	2575	2510	-	-	-	-	-	355	2190	1955	340	2405	-	2405	2037	1494	1011

*NOTE: Connection measurements may vary depending on connection type

SPDD Nozzle Plate Filters

Proven Strength and Durability



Micron SPDD Nozzle Plate Filters
Micron SPDD filters are fitted with a plate and nozzle system, which ensures uniform flow for both filtering and backwashing, ensuring maximum performance through the media bed.



Nozzle Plate under drain system

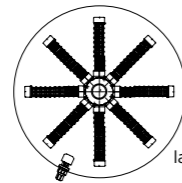


Internal Nozzle Plate Service Hatch

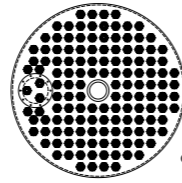
MICRON NOZZLE PLATE SIDE MOUNT DEEP BED FILTERS

1200mm filter bed depth ranges from 2.5 to 10 bar

The nozzle plate system also allows the introduction of pressurised air directly into the bottom of the filter media. Uniform introduction of air and water through the nozzle plate provides vigorous agitation and filter media bed expansion required for an effective air/water backwash leading to reduced backwashing times and reduced volumes of water. Save up to 25% of backwash water.



Conventional lateral configuration



Nozzle plate configuration

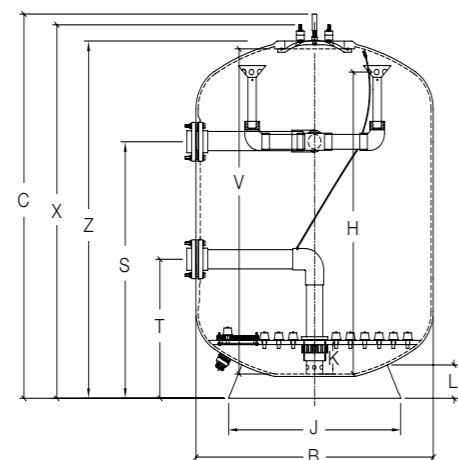
Specifications

Filter Model	Port Size	Bed Depth	Inner Diameter	Filter Area	Filtration Flow Rates				Media Volume	Sand 16/30	Glass Pearls 0.6-0.8
					30m ³ /hr/m ²	36m ³ /hr/m ²	40m ³ /hr/m ²	50m ³ /hr/m ²			
	mm	mm	mm	m ²	m ³ /hr		m ³ /hr		litres	kg	kg
SPDD1050	90	1200	1050	0.87	26.0	31.2	34.6	43.3	1017	1485	1643
SPDD1200	90	1200	1200	1.13	33.9	40.7	45.2	56.5	1322	1930	2135
SPDD1400	110	1200	1400	1.54	46.2	55.4	61.6	77.0	1808	2640	2920
SPDD1600	110	1200	1600	2.01	60.3	72.4	80.4	100.5	2366	3455	3820
SPDD1800	160	1200	1800	2.54	76.3	91.6	101.8	127.2	2966	4330	4790
SPDD2000	160	1200	2000	3.14	94.2	113.1	125.7	157.1	3671	5360	5929
SPDD2200	160	1200	2200	3.80	114	137	152	190	4473	6530	7223
SPDD2350	160	1200	2350	4.34	130.1	156.1	173.5	216.9	5089	7430	8219

* Recommended maximum flow rates for port size :
 90mm(EU), 1080 lpm, 64.8m³/hr
 160mm(EU), 3420 lpm, 205.2m³/hr
 110mm(EU), 1800 lpm, 108m³/hr

Dimension - SPDD (mm)

Model	B	C	K	V	H	L	X	Z	J	S	T
SPDD1050	1077	2270	220	1950	1820	176	2185	2115	1045	1450	750
SPDD1200	1229	2243	150	1900	1750	176	2158	2088	1045	1449	749
SPDD1400	1442	2313	200	1975	1800	218	2228	2158	1202	1514	814
SPDD1600	1644	2285	200	1950	1800	218	2200	2130	1202	1529	829
SPDD1800	1839	2260	320	2010	1920	315	2175	2105	1755	1489	789
SPDD2000	2042	2398	320	2100	1920	245	2313	2243	1755	1489	789
SPDD2200	2245	2415	380	2090	1980	245	2330	2260	1755	1386	903
SPDD2350	2390	2435	355	2118	1955	340	2330	2330	2037	1550	950



Model	Filter Shipping Weight (2.5bar)	Shipping Volume
SPDD1050	199 kg	2.94 m ³
SPDD1200	245 kg	3.70 m ³
SPDD1400	303 kg	5.27 m ³
SPDD1600	387 kg	6.87 m ³
SPDD1800	415 kg	7.57 m ³
SPDD2000	649 kg	10.0 m ³
SPDD2200	800 kg	12.41 m ³
SPDD2350	1008 kg	13.91 m ³

Micron Horizontal Filters

Designed and built for high performance and reliability



Micron Horizontal Filters

The Micron Horizontal Filter is a space-saving high performer; its compact horizontal design allows installation with minimum waste of space. The shape of the Micron horizontal filter is both attractive and functional. The spherical ends are designed to give uniform flow from both inlet and outlet collection assemblies. Micron Horizontal filters are available with a 500mm (M) filter media bed and a 1200mm (MD) filter media bed.

MICRON COMMERCIAL HORIZONTAL FILAMENT WOUND FILTERS

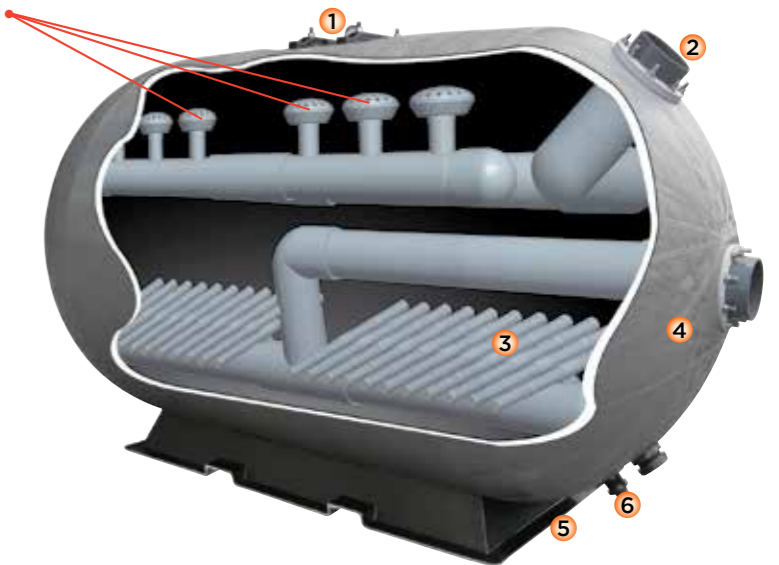
Ranges from 2.5 to 10 bar (10 bar not available in all models)

Micron Horizontal vessels are also available with a nozzle plate. The nozzle plate provides even distribution of air scouring and backwashing.

For the ultimate filtration solution of large filter bed area and effective backwashing, Micron Horizontal Nozzle Plate vessels are the perfect choice.

Micron Horizontal's lateral system reduces backwash run times, saves water and produces flatter more uniform filter media bed after backwashing.

Micron Horizontal filters include hydraulically efficient distribution manifolds, ensuring balanced circulation and filtration.



- 1 Elliptical positive sealing manways.
- 2 Flanged port of up to 10".
- 3 Hydraulically balanced distribution and lateral system.
- 4 Fibreglass wound tank, UV and corrosion resistant.
- 5 Large stable filter base for stable floor mounting.
- 6 Manual drain.

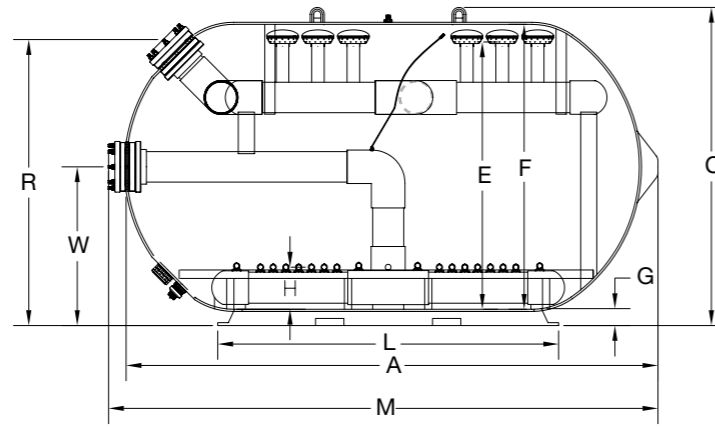


Internal plumbing & laterals



Micron Horizontal Filters

Designed and built for high performance and reliability



Specifications - Micron Horizontal Filters

Filter Model	Port Size	Bed Depth	Inner Diameter	Filter Area	Filtration Flow Rates				Backwash Flow Rates		Media Volume	Sand 16/30	Glass Pearls 0.6-0.8
					30m ³ /hr/m ²	36m ³ /hr/m ²	40m ³ /hr/m ²	50m ³ /hr/m ²	litres	kg			
M2500	110	500	1480	2.50	75	90	100	125	1452	2120	2304		
M3750	160	500	1485	3.75	113	135	150	187	2370	3460	3552		
M5000	160	500	1486	5.00	150	180	200	250	3192	4660	4898		

Dimension (mm)

Model	A	B	C	W	R	L	E	F	G	H	M
M2500	2245	1260	1620	740	1300	1400	1005	1260	150	255	2327
M3750	3230	1265	1620	740	1300	2520	945	1260	150	275	3312
M5000	4220	1270	1620	740	1300	3570	945	1260	150	275	4301

Specifications - Micron Horizontal Deep Bed Filters

Filter Model	Port Size	Bed Depth	Inner Diameter	Filter Area	Filtration Flow Rates				Backwash Flow Rates		Media Volume	Sand 16/30	Glass Pearls 0.6-0.8
					30m ³ /hr/m ²	36m ³ /hr/m ²	40m ³ /hr/m ²	50m ³ /hr/m ²	litres	kg			
MD5500	160	1200	2260	5.50	165	198	220	275	5890	9280	10265		
MD6500	200	1200	2260	6.50	195	234	260	325	7548	11020	12764		
MD8000	200	1200	2260	8.00	240	288	320	400	9795	14300	15834		
MD10000	280	1200	2260	10.00	300	360	400	500	12116	17690	20225		

Dimension (mm)

Model	Port size	A	C	W	R	L	E	F	G	H	M
MD5500	160	3252	2260	1120	1988	1880	1889	2000	230	289	3330
MD6500	200	3765	2260	1120	2020	2405	1890	2000	230	290	3890
MD8000	200	4516	2260	1120	2020	3155	1890	2000	230	290	4640
MD10000	280	5500	2260	1150	2050	4055	1890	2000	230	330	5650

Model	Filter Shipping Weight (2.5bar)	Shipping Volume
M2500	170 kg	4.6 m ³
M3750	270 kg	6.5 m ³
MD5000	879 kg	11.7 m ³
MD5500	590 kg	17.0 m ³
MD6500	1110 kg	18.3 m ³
MD8000	1450 kg	22.0 m ³
MD10000	2110 kg	26.7 m ³

Optional Extras

Proven Strength and Durability



COMMERCIAL FIBREGLASS: OPTIONAL EXTRAS

Product Description

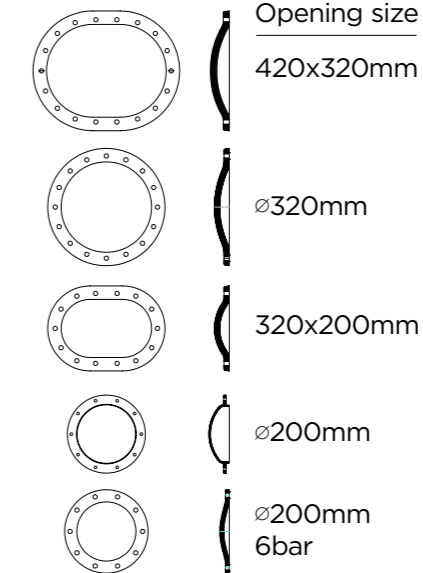
- Sight Glass 63mm applicable to SMD/SMDD400 to 2500
- Sight Glass 90mm applicable to SMD/SMDD900 to 2500
- Sight Glass 110mm applicable to SMD/SMDD1050 to 2500
- Lateral Manhole 420mm x 320mm applicable to SMD/SMDD/SPDD1200 and above; and MD
- Lateral Manhole 320mm dia applicable to SMD/SMDD/SPDD1050 and above; and M/MD1200 to 2500
- Lateral Manhole 200mm applicable to SMD/SMDD/SPDD600 and above; and M/MD

Micron Side Mount Deep Bed Optional Extras

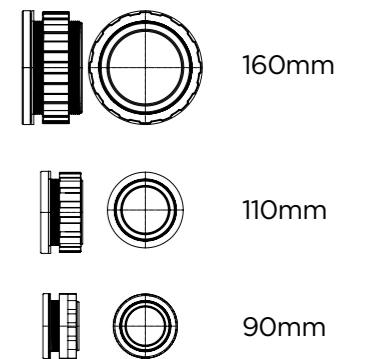
Waterco Micron Side Mount Deep Bed Commercial filters are now available with the option of:

- 63mm, 90mm, 110mm or 160mm sight glasses.
- 200mm, 320mm to 420mm x 320mm lateral manholes.
- Fibreglass reinforced vinyl ester for improved resistance.
- Extra reinforcement to increase the working pressure rating to 600 kPa (87 psi), 800 kPa (116 psi) or 1000 kPa (145 psi)

Side hatch / Lateral manhole cover



Sight Glass



DUAL PRESSURE GAUGE PANEL

Part Number	Product Description
621639	Dual Pressure Gauge Panel

Waterco's Dual Pressure Gauge Panel is an extremely versatile pressure measurement and test instrument. It can simultaneously display the output of two pressure gauges, so that you can accurately monitor the filter's pressure drop.

Hydron Split Tank Filters



Designed for water treatment and commercial swimming pool facilities, built using the latest in gel coated fibreglass technology.

- Durable
- Easy to maintain
- Flanged tank port connections
- Perfect for retrofit
- Easy transport
- Flexible configurations available
- Sight glass available



HYDRON SPLIT TANK FILTERS

Pressure rating 4 Bar

Part Number	Product Description	Nominal Size
	Filter only	
223912008014	Hydron Split Filter 1200h 3"FL LCN	48"
223914008014	Hydron Split Filter 1400h 4"FL LCN	56"
223916008014	Hydron Split Filter 1600h 4"FL LCN	64"
223918008014	Hydron Split Filter 1800h 6"FL LCN	72"

Ideal for retrofitting

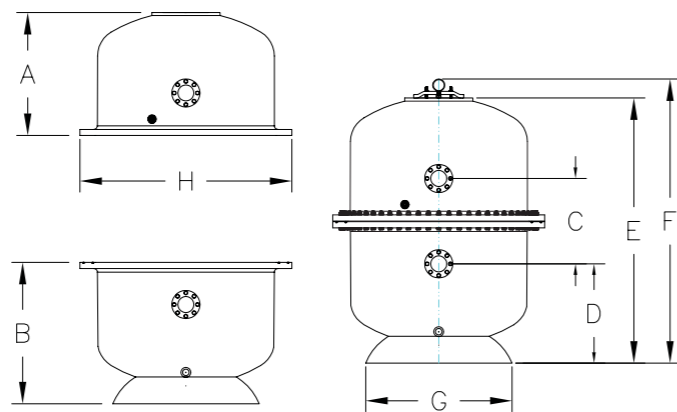
Hydron Split tank can be delivered in two parts and assembled on site in the plant room. The two halves seal perfectly using a double o ring and are held together by a flange using bolts and nuts. The filter is specifically designed to fit through existing standard size plant room doors.

Technical Specifications

Model No:	Port Size	Bed Depth	Inner Diameter	Filter Area	Filtration Flow Rates				Sand	Glass Pearls 0.6-0.8
					30m³/hr/m²	36m³/hr/m²	40m³/hr/m²	50m³/hr/m²		
	mm	mm	mm	m²	m³/hr		m³/hr		kg	kg
SMDT 1200	90	1200	1200	1.13	34	41	45	57	2045	2262
SMDT 1400	110	1200	1400	1.54	46	55	62	77	2840	3142
SMDT 1600	110	1200	1600	2.01	60	72	80	101	3685	4076
SMDT 1800	160	1200	1800	2.54	76	92	102	127	4975	5503

Dimensions (mm)

Model	A	B	C	D	E	F	G	H
SMDT 1200	1010	1095	700	749	2088	2245	1045	1521
SMDT 1400	1008	1165	700	814	2170	2330	1200	1737
SMDT 1600	995	1130	700	829	2130	2285	1200	1943
SMDT 1800	1105	1100	700	789	2188	2355	1760	2105



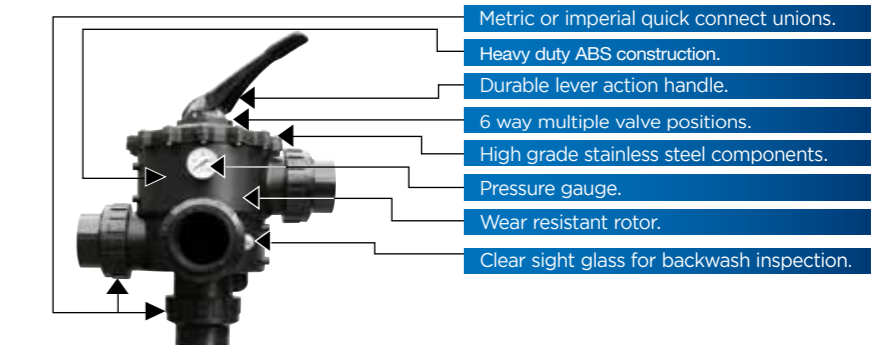
Multiport Valves

Heavy duty construction



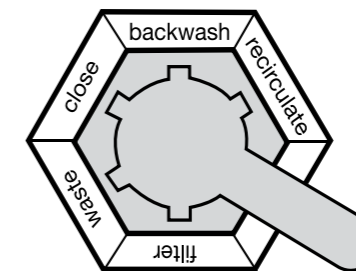
MPV KITS FOR MICRON SAND FILTERS

Part Number	Product Description	
2280422	TM 50mm MPV Clamp w BU	Thermoplastic T400 - T600 Clamp Type
228042	TM 50mm MPV c/w BU	Micron S500 - S700
2280441	TM 50mm MPV c/w BU (6way 4bar)	Micron S500 - S700
2280600	TM 75mm MPV w B Union	Micron S1050 w 12" neck
2290421	SM 50mm MPV	Micron SM400 - SM600 8" neck w 40mm Micron SMDD600 8" neck w 40mm
2290491	SM 50mmMK2 MPV c/w P.Kit	Micron SM600 8" neck w 50mm
22905010	SM/SMD/SMDD 75mm MPV c/w P.Kit	Micron SM1050 65mm w 12" neck Micron SM1200 65mm w 12" neck
2390495	DE SM 50mm MPV c/w P.Kit	Astra DE P2027
228053	TM 63mm MPV c/w BU	Micron S702 - S1200 Micron SD750, SD900
2290512	SM 63mm MPV	Micron SM700 - SM900 8" neck w 50mm Micron SMDD750 - SMDD900 8" neck w 50mm Micron SMDD1050 w 50mm connection
23905832	DE SM 63mm MPV c/w P.Kit	Astra DE P2036, P2048
2290820	SM 90mm MPV c/w P.Kit	Micron SM1050 - SM1600 w 80mm Micron SMDD900 - SMDD1400 w 80mm
2291005	SM110mm MPV c/w P.Kit	Micron SM1600 - SM2000

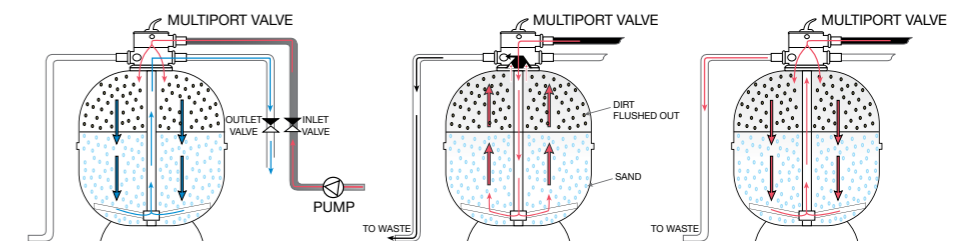


Multiport Valve Main Functions

- Filter** - downward flow through the filter bed to outlet
- Backwash** - upward flow through the filter bed to waste
- Rinse** - downward flow through the filter bed to waste
- Waste** - bypass the filter bed to waste
- Re-circulate** - bypass the filter bed to outlet
- Closed** - no flow to the filter



Cleansing a filter simply requires shifting the Multiport lever from the "filter" position to the "backwash" position, which reverses the flow of water in the filter, flushing the filter bed.



Warranty

Waterco Multiport valves are covered by 1 year warranty.

Micron W & WD Filters

Enjoy clear water through your whole house

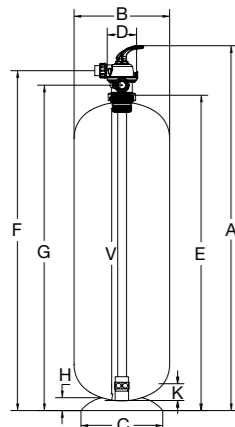


- Effective Filtration
- Minimal Maintenance
- Dependable Strength and Durability

Warranty

Product	Full Warranty	Pro-Rata Warranty
1. Residential Applications		
• W250/W300	5 years	Not applicable
• Other W/WD	2 years	3 years
2. Commercial Applications		
• W250/W300	2 years	Not applicable
• Other W/WD	2 years	3 years

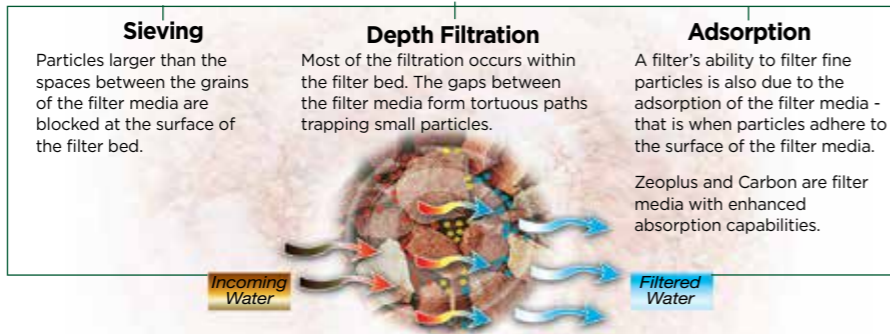
* Please refer to Waterco's warranty terms and conditions.



MICRON W FILTERS

Part Number	Product Description
2247251	Micron W250 (700kPa) - c/w 50mm 5 way MPV
22473011	Micron W300 (700kPa) - c/w 50mm 5 way MPV

The Filtration Process



Micron W series filter is capable of filtering out particles as small as 10 microns (0.01mm).



Strength and Durability

A Micron W's innovative design and superior construction techniques provide it the strength to cope with working pressures up to 700kPa. (Equivalent to 71 tonnes per square meter.)

Refined Filament Winding

Waterco's advanced filament winding machine winds continuous strands of fibreglass onto the filter's inner tank to strengthen the filter so that it is able to withstand high water pressures as well as fluctuating water pressures.

Specifications

Filter Model	Valve Size	Bed Depth	Inner Diameter	Filter Area	Max. Flow*	Media Volume	Sand 16/30	Glass Pearls 0.6-0.8
	mm	mm	mm	m ²	lpm	litres	kg	kg
W250	50	600	250	0.05	30	62	60	66
W300	50	600	300	0.07	42	87	85	94

Dimensions (mm)

Model	A	B	C	D	E	F	G	H	V	K
W250	1385	268	304	160	1119	1252	1172	162	955	180
W300	1366	322	346	160	1100	1233	1153	175	955	180

Micron W & WD Filters

Deep Bed Filters



Technologically Advanced

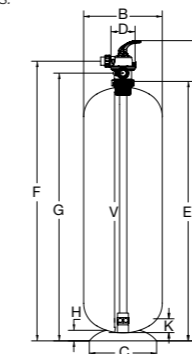
Micron filters consist of a blow moulded inner shell of fibreglass reinforced polyester resin strengthened with multiple layers of continuous strands of fibreglass filament.

Micron filters are wound with precision by Waterco's digital filament winding machines, for refined consistency and superior quality.

Warranty

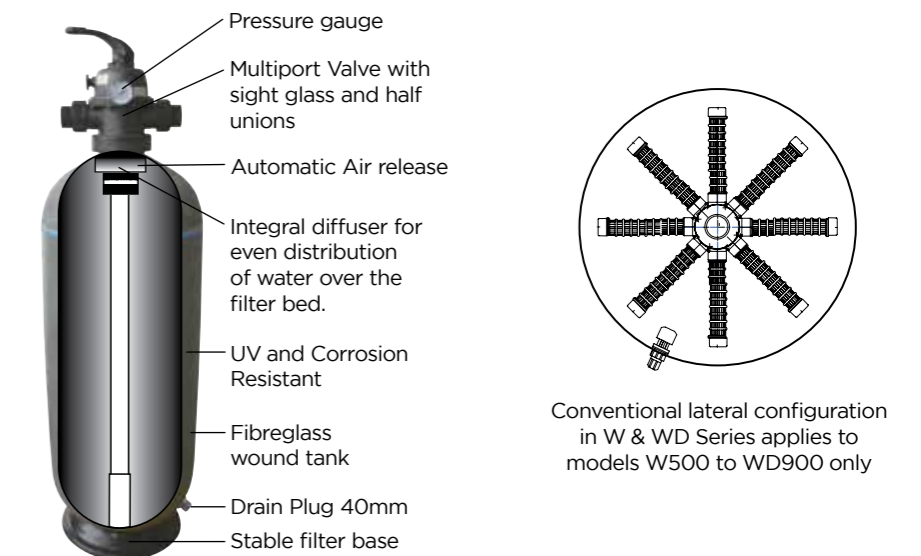
Product	Full Warranty	Pro-Rata Warranty
1. Residential Applications		
• W250/W300	5 years	Not applicable
• Other W/WD	2 years	3 years
2. Commercial Applications		
• W250/W300	2 years	Not applicable
• Other W/WD	2 years	3 years

* Please refer to Waterco's warranty terms and conditions.



MICRON W FILTERS

Part Number	Product Description
22473071	Micron W300 (700kPa) - c/w 40mm 5 way MPV
22473571	Micron W350 (700kPa) - c/w 40mm 5 way MPV
22474071	Micron W400 (700kPa) - c/w 40mm 5 way MPV
22475071	Micron W500 (700kPa) - c/w 40mm 5 way MPV
22476071	Micron W600 (700kPa) - c/w 40mm 5 way MPV
22477071	Micron W700 (700kPa) - c/w 40mm 5 way MPV



Specifications

Filter Model	MPV Size	Filter Bed Depth	Filter Bed Area	Filtration Flow Rates 36m ³ /hr/m ²	Backwash Flow Rates 40m ³ /hr/m ²	Filter Bed Volume	Sand 16/30	Glass Pearls 0.6-0.8
	mm	mm	m ²	lpm	m ³ /hr	litres	kg	kg
W250	50	600	0.05	30	1.8	33	2	41
W300	50	600	0.07	42	2.5	47	2.8	58
W350	50	600	0.10	60	3.6	67	4	79
W400	50	600	0.13	78	4.7	87	5.2	79
W500	50	600	0.20	120	7.2	133	8	123
W600	50	600	0.28	168	10.1	187	11.2	175
W700	50	600	0.38	228	13.7	253	15.2	240

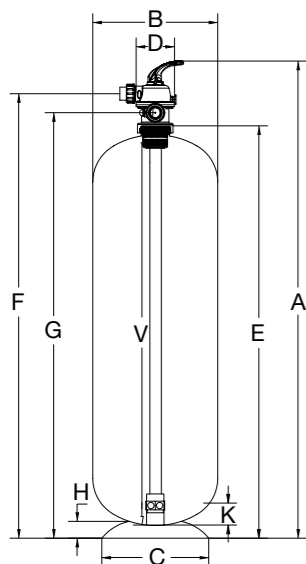
Dimensions (mm)

Model	A	B	C	D	E	F	G	H	V	K
W250	1385	268	304	160	1119	1252	1172	162	955	180
W300	1366	322	346	160	1100	1233	1153	175	955	180
W350	1397	366	355	160	1130	1262	1183	63	1010	180
W400	1377	416	355	160	1110	1242	1163	63	995	76
W500	1415	518	443	160	1148	1280	1201	69	1014	76
W600	1402	620	540	160	1135	1267	1188	88	992	76
W700	1407	720	540	160	1140	1272	1193	88	1015	86

Micron W & WD Filters



Micron WD filters are designed with filter bed depths of 1000mm providing enhanced filtration and increased contact time.



MICRON WD FILTERS

Part Number	Product Description
22483070	Micron WD300 (700kPa) - c/w 50mm 5 way MPV
22483570	Micron WD350 (700kPa) - c/w 50mm 5 way MPV
22484070	Micron WD400 (700kPa) - c/w 50mm 5 way MPV
22485070	Micron WD500 (700kPa) - c/w 50mm 5 way MPV
22486070	Micron WD600 (700kPa) - c/w 50mm 5 way MPV
22487070	Micron WD700 (700kPa) - c/w 50mm 5 way MPV

Specifications

Filter Model	MPV Size	Filter Bed Depth	Filter Bed Area	Filtration Flow Rates		Backwash Flow Rates		Filter Bed Volume	Sand 16/30	Glass Pearls 0.6-0.8
				36m ³ /hr/m ²	lpm	40m ³ /hr/m ²	lpm			
WD300	50	1000	0.07	42	2.5	47	2.8	86	125	138
WD350	50	1000	0.10	60	3.6	67	4	116	170	188
WD400	50	1000	0.13	78	4.7	87	5.2	129	188	208
WD500	50	1000	0.20	120	7.2	133	8	199	290	321
WD600	50	1000	0.28	168	10.1	187	11.2	288	420	465
WD700	50	1000	0.38	228	13.7	253	15.2	394	575	636

Dimensions (mm)

Model	A	B	C	D	E	F	G	H	V	K
WD300	1977	315	301	160	1710	1841	1762	75	1590	180
WD350	1997	366	356	160	1730	1861	1782	63	1612	180
WD400	1987	416	356	160	1720	1851	1772	63	1595	76
WD500	2009	518	443	160	1742	1873	1794	69	1600	76
WD600	1997	620	540	160	1730	1861	1782	88	1582	76
WD700	2002	720	540	160	1735	1866	1787	88	1622	86

Warranty

Product	Full Warranty	Pro-Rata Warranty
1. Residential Applications		
• W250/W300	5 years	Not applicable
• Other W/WD	2 years	3 years
2. Commercial Applications		
• W250/W300	2 years	Not applicable
• Other W/WD	2 years	3 years

* Please refer to Waterco's warranty terms and conditions.

Purification Systems - Point of Use



W300 MKII AUTOMATED DEEP BED FILTERS

Part Number	Product Description
22473002	Micron Automated W300 MKII Deep Bed Filter c/w Automated Valve (time based)
22473012	W300 MKII Tank Only, suitable for Automated Valve
22472500	Micron Automated W250 MKII Deep Bed Filter c/w Automated Valve (time based)
22472502	W250 MKII Tank Only, suitable for Automated Valve

Specifications

Model	Valve Size	Filter Bed	Bed Depth	Max. Flow Rate 36m ³ /hr/m ²	Max. Working Pressure	Media Volume	Sand 16/30	Zeoplus 16/30
	mm/inch	m ²	mm	m ³ /hr	(Bar/psi)	litres	kg	kg
W300 MKII	50/1.5	0.07	600	2.52	7/102	51	75	57
W250 MKII	50/1.5	0.07	600	1.80	7/102	36	52	40

Dimensions (mm)

Model	Inner Diameter (mm)	Overall Width (mm)	Overall Height (mm)
W300 MKII	300	332	1366
W250 MKII	250	268	1385

MPV FOR W & WD FILTERS

Part Number	Product Description	Nominal Size
228026EURO	40mm 5-way MPV	6 Bar
2280262EURO	40mm BSB collar 5-way MPV for MKII W300	7 Bar
228053EURO	50mm 6-way MPV	4 Bar

W300 MKII AUTOMATED VALVE & ACCESSORIES

Part Number	Product Description
72523000	W Series Automated Valve including weather cover and lock ring
72523010	W Series Automated Valve Almond Weather Cover
855172	W Series Automated Valve Lock Ring

The WSA Valve is designed to direct and regulate all the cycles necessary for the day to day operation of the Micron W300MKII filter.

- User friendly digital display and programming.
- Solid state microprocessor with easy access front panel settings.
- Stores system configuration and operation data in nonvolatile memory.
- Optimum service and backwash rates.
- Modular design with no screws to lose.

Inlet / Outlet	25mm (1")
Minimum / Maximum Operating Pressures	1.38 Bar (20 psi) - 8.62 Bar (125 psi)
Minimum / Maximum Operating Temperatures	6000 hrs
Current Draw and Voltage	0.5A 220 - 240V



TBF Bag Filters



TBF housings are constructed from high impact polypropylene to be compatible with a wide range of fluids and its ergonomic screw down lid is designed for simple hand operation allowing for a quick filter changeover.

- Ideal as a coarse pre-filter/ leaf trapper
- Disposable filter bags
- One piece mould construction
- Able to withstand up to 6 Bar/600kPa/87 psi

COMMANDOMATIC TBF HOUSING 6 Bar / 87psi

Part Number	Product Description
	Polypropylene Housing for Bag Filtration
3761050EU	C50 TBF Housing
37610750EU	C75 TBF Housing



Specifications

Model	Max. Flow Rate	Required Clearance for Servicing	Max. Pressure	Max. Temperature
C50	11.4 m ³ /hr	530mm / 20.9"	6 Bar	40°C / 100°F
C75	16.2 m ³ /hr	770mm / 30.3"	6 Bar	40°C / 100°F

Dimensions (mm)

Model	A	B	C	D	E	F	G
C50	710mm	665mm	620mm	71mm	263mm	278.5mm	402mm
C75	960mm	915mm	870mm	71mm	263mm	278.5mm	402mm

TBF POLYPROPYLENE FILTER BAGS

Part Number	Product Description
	For C50
3651931	1 Micron Filter Bag
3651924	5 Micron Filter Bag
3651925	25 Micron Filter Bag
3651926	50 Micron Filter Bag
36519265	800 Micron Filter Bag
	For C75
36519310	1 Micron Filter Bag
36519240	5 Micron Filter Bag
36519250	25 Micron Filter Bag
36519260	50 Micron Filter Bag
36519266	800 Micron Filter Bag

Filter Bag Dimensions	C50	C75
Surface Area	0.17m ² / 1.85ft ²	0.27m ² / 2.9ft ²
Diameter	178mm / 7"	178mm / 7"
Length	419mm / 16.5"	660mm / 26"

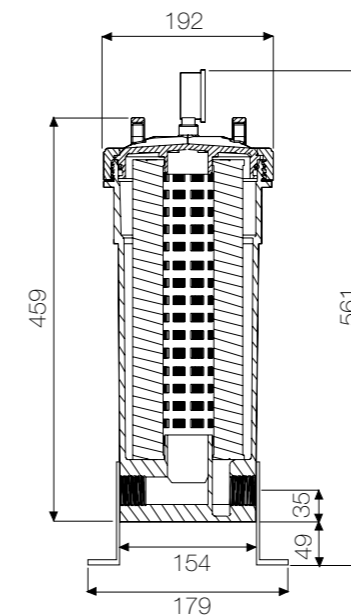
Filter Bag Specifications	C50	C75
Material	Polyester*	Polyester*
Specific Gravity	0.91	0.91
Abrasion & Flex	Very Good	Very Good
Weak Acids	Excellent	Excellent
Strong Acids	Excellent	Excellent
Weak Alkali	Excellent	Excellent
Strong Alkali	Excellent	Excellent
Solvents	Fair	Fair

Cartridge Filters



The Slimline takes up a mere 250 cm² of valuable floor space. Not only is it smart on design. The lock ring lid makes cartridge removal and replacement so easy. No additional tools are needed.

Dimensions (mm)



SLIMLINE FILTER

Part Number	Product Description
45552510	Slimline CC25 Filter (empty)
4555251	Slimline CC25 Filter c/w 30 micron cartridge element 4 Bar
AF1060	Filter stand for 4555251
62051	Slimline Filter Cartridge 30 Micron
620510	Slimline Filter Cartridge 5 Micron

The Slimline takes up a mere 250cm² of valuable floor space. Not only is it smart in design, the lock ring lid makes cartridge removal and replacement so easy. No additional tools are needed.



Slimline Filter Cartridge

Constructed of long-lasting and reusable polyester fabric.

Has multiple compact pleats providing 2.3 metres of surface area - maximum dirt holding, reduces cleaning frequency.



Specifications

Working Pressure	: 4 bar / 58 psi
Maximum Temperature	: 40°C (100°F)
Tank	: Polypropylene
Tank ports	: 25mm female BSP thread
Lock Ring	: Glass-filled polypropylene
Element	: Polyester fabric material, PU end caps, ABS core
Pressure Drop	: 0.2 bar / 2.9psi
Seals	: Niltrile rubber

Micron Rating	5, 30	Diameter	127mm
Max. Flow	5.7m ³ /hr	Tank Ports	25mm BSP thread
Surface Area	2.3m ²	Working Pressure	4 Bar
Length	340mm	Max. temperature	40°C(100°F)

Cartridge Filters



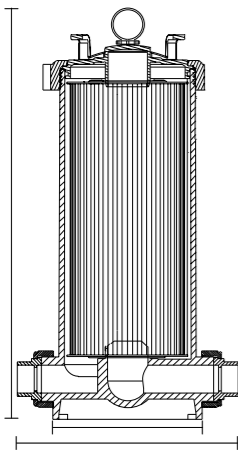
COMMANDOMATIC TBF HOUSING 6 Bar / 87psi

Part Number	Product Description
Polypropylene Housing for Cartridge and/or Granular Filtration Purposes. Filter supplied with both 1½" imperial & 50mm metric quick connect unions.	
2150253EU	C25 TCF (empty)
2150503EU	C50 TCF (empty)
2150753EU	C75 TCF (empty)

COMMANDOMATIC TCF COMPLETE UNITS - 6 Bar

Part Number	Product Description
21502531EU	C25 Cartridge Filter c/w 30 micron cartridge
21505031EU	C50 Cartridge Filter c/w 30 micron cartridge
20507531EU	C75 Cartridge Filter c/w 30 micron cartridge

TCF Compact Filter is a compact and economical Cartridge Filter built with an easy to use lock ring system for simple cartridge removal and replacement.



- Easy to read pressure gauge.
- Moulded glass filled PP lid with quick loading nut for easy hand operation.
- High impact polypropylene body.
- 50mm / 1½" connections
- Non-corrosive, non-sticking air relief valve. Easy to operate.
- Inbuilt automatic air bleed.

Model	Height (mm)	Width (mm)	Tank Diameter (mm)
C25	-	384	259
C50	720	384	259
C75	970	384	259

COMMANDOMATIC TCF CARTRIDGES

Part Number	Product Description
Pleated Polyester Filter Cartridges	
620401	C25 1 micron cartridge
62040	C25 30 micron cartridge
62041	C50 5 micron Cartridge
62043	C75 5 micron Cartridge
620411	C50 10 micron Cartridge
620431	C75 10 micron Cartridge
6204220	C50 20 micron Cartridge
6204420	C75 20 micron Cartridge
62042	C50 30 micron Cartridge
62044	C75 30 micron Cartridge

The pleated filter cartridge is constructed from heavy duty, easy-to-clean polyester fabric. The Cartridge's pleats allow for more surface area and a lower pressure loss compared to depth type filter cartridges

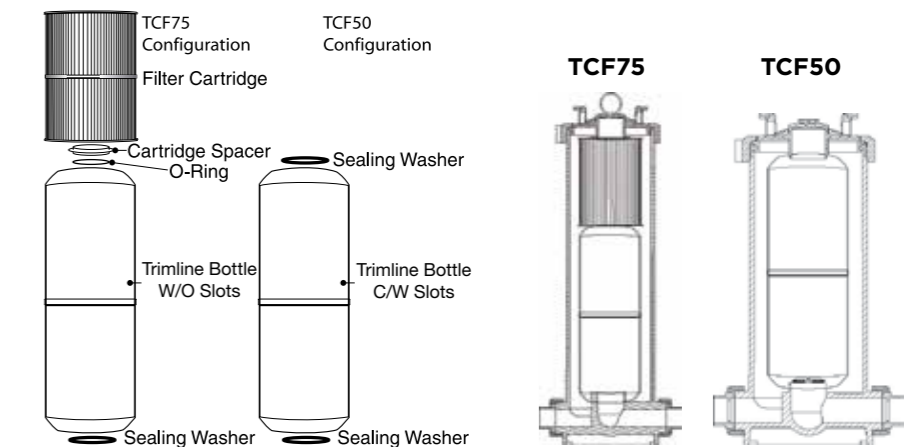
Model	Max. Flow Rate	Cartridge Micron Ratings	Maximum Pressure Drop	Surface Area	Cartridge Length	Cartridge Diameter
C25	5.7m³/hr	5, 10, 20, 30	0.2 Bar / 2.9 psi	2.3m²(25ft²)	240mm	185mm
C50	11.40m³/hr	5, 10, 20, 30	0.2 Bar / 2.9 psi	4.6 m² (50 ft²)	490mm	185mm
C75	16.50m³/hr	5, 10, 20, 30	0.2 Bar / 2.9 psi	6.9 m² (75 ft²)	740mm	185mm

Cartridge Filters



TCF GRANULAR MEDIA CARTRIDGE COMPONENTS

Part Number	Product Description
3651922	Trimline Bottle (c/w slots) 12 litre capacity
3651923	Trimline Bottle (w/o slots) 12 litre capacity
644771	TCF sealing washer
W02046	TCF cartridge spacer
6340116	TCF cartridge spacer 'O' ring
TCF Granular Media Pre-Filter Cartridges	
62031	C25 5 micron Cartridge
620311	C25 10 micron Cartridge
6204020	C25 20 micron Cartridge
62040	C25 30 micron Cartridge



Pleated Filter Cartridges

The Pleated Filter Cartridges are fabricated from pleated reusable polyester fabric. The media has been pleated to provide 2.3 to 6.9 square metres of surface area in order to maximise the cartridge dirt holding capacity and extend the time between cleaning.

Material : Polyester Fabric material, Vinyl Plastisol end caps, Polypropylene core

Operating Temperature : 4°C to 50°C

Maximum Pressure Drop : 0.2 bar / 2.9 psi

Granular Media Cartridges

The granular media cartridges are able to house 12 litres of filter media and are designed to allow water to enter via the top of the cartridge and flow through the full height of the filter bed before exiting at the bottom of the cartridge.

Glass Pearls

Advanced Filter Media



Manufactured from pure glass, Glass Pearls are a new generation of filter media, capable of providing water of superior clarity.

Its spherical shape results in low coefficient of friction, reducing backwash requirements, saving pool owners both time and water.

- 3 micron filtration
- 20% less backwash water
- High purity
- Safe and smooth
- Time saving
- 0.6mm to 0.8mm in size

GLASS PEARLS

Part Number	Product Description
35320011	Glass Pearl Media 0.6 - 0.8mm

Superior Clarity

Glass Pearls have a small effective size of only 0.6mm to 0.8mm. Its narrow particle size range allows in-depth filtration and extends operating cycles between backwashing. Glass Pearls have been laboratory tested to be able to effectively filter down to below 3 microns.

Save Water

Glass Pearls spherical smooth shape, results in a low coefficient of friction, reducing its backwash water requirements. Glass Pearls backwashes with up to 20% less water than sand, saving time and water.



High Purity

Glass Pearls are manufactured from pure glass and chemically inert. Glass Pearls have been independently lab tested for leaching contaminants and found to be well within Australian Drinking Water Guidelines.

Safe and Smooth

Glass Pearls are spherical and do not have any sharp edges. They are safe to handle and safe to service. If there is ever a failure of the filter's laterals and Glass Pearls flow into the swimming pool, they pose no risk of injury to swimmers.

Time Saving

Glass Pearls are easy to install and enables a rapid start up of the media filter. Its high purity means very little backwashing is required to cleanse the filter media, prior to commissioning the filter.



Technical Specifications	
Filtration Media	Glass Pearl
Effective Size (mm)	0.61
Uniformity Coefficient	1.21
Bulk Density	1.61
Mohs Hardness	7.0

Chemical Compositions	
Silicon dioxide (SiO ₂)	70.00 - 75.00%
Sodium oxide (Na ₂ O)	12.00 - 15.00%
Calcium oxide (CaO)	7.00 - 12.00%
Magnesium oxide (MgO)	approx. 5.00%
Aluminium oxide (Al ₂ O ₃)	approx. 2.50%
Potassium oxide (K ₂ O)	approx. 1.50%

ECOPURE

GLASS MEDIA



Grade 1 equivalent to 16/30 Grade sand

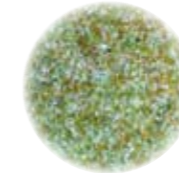


Grade 3 equivalent to 6mm gravel



ECOPURE GLASS MEDIA

Product Description	Nominal Size
Grade 1 (0.5mm -1mm)	20kg bag
Grade 2 (1mm - 3mm)	20kg bag
Grade 3 (3mm - 6mm)	20kg bag



Grade 1
0.5mm-1mm

Waterco Glass media has the green credentials, and with its superior performance is also cost effective in comparison to sand.

Waterco Glass media has many benefits over sand:

- **Waterco Glass media is more efficient**
It removes 30% more material and pollutants than sand, so saving on backwashing and the resultant water, energy and chemical treatment costs
- **Waterco Glass media keeps cleaner**
It is less susceptible to bio-fouling. As the product is heat treated surfaces are smooth, so requiring less remedial action and again less chemical treatment to kill pollutants
- **Waterco Glass media requires less material**
It is less dense than sand, requiring 20% less media to fill the equivalent filter
- **Waterco Glass media doesn't degrade**
It therefore has a longer life span
- **Waterco Glass media**
Is suitable for both commercial and domestic applications



Grade 2
1mm-3mm



Grade 3
3mm-6mm



MULTICYCLONE 12 & 16

Centrifugal Pre-filtration 3.5 Bar



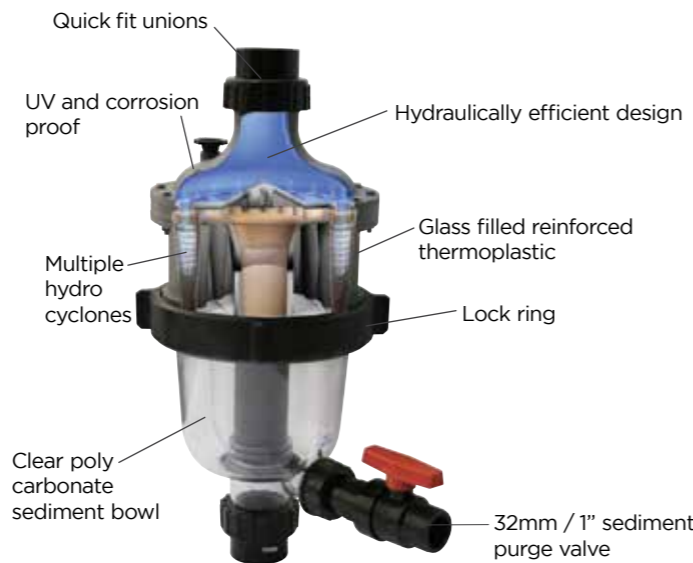
MC16



MC12



MULTICYCLONE 12 & 16		
Part Number	Product Description	Nominal Size
200375	MultiCyclone MC16	63mm
200374	MultiCyclone MC12	50mm



Incoming water enters hydro-cyclones tangentially, generating a strong centrifugal effect. The sediment is spun out to the hydro-cyclone's wall, and then spirals down to the sediment chamber. The filtered water migrates towards the centre of the hydro cyclone where the flow reverses and spirals upwards through the outlet.

Accumulation of sediment can be visibly monitored through the MultiCyclone's clear sediment chamber.

The MultiCyclone is easily cleaned by opening the valve. Only 15 litres of water is discharged to cleanse the MultiCyclone.

MultiCyclone is easy to install and fits to most existing filtration systems. There are no moving parts to wear out and replace and it's backed by Waterco's 2 year warranty.



Specifications

Model	Hydrocyclones	Connection Ports	Minimum Flow	Maximum Flow	Maximum Pool Size	Maximum Pressure
MultiCyclone12	12	50mm	2.4m³/hr	18m³/hr	55m³	350 kPa (50psi) 3.5 Bar
MultiCyclone16	16	63mm	3m³/hr	30m³/hr	80m³	350 kPa (50psi) 3.5 Bar

MULTICYCLONE PRO

Centrifugal Pre-filtration 7 Bar



Waterco's award winning MultiCyclone is a brilliant pre-filtration device that works on the basis of centrifugal water filtration and is designed with no moving parts and no filter media to clean or replace.

- Minimises filter maintenance and saves water
- No filter media to clean or replace
- Suitable for new and existing installations
- 2 year warranty

Maintenance

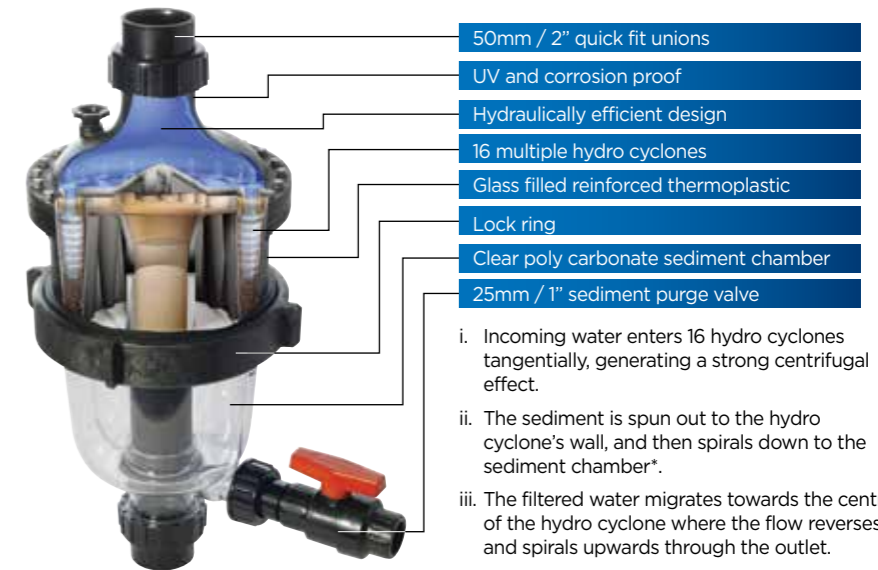
The MultiCyclone is easily cleaned by opening its purge valve. Only 15 litres of water is discharged to cleanse the MultiCyclone.



MULTICYCLONE PRO	
Part Number	Product Description
200386	MultiCyclone Pro

Centrifugal water filtration

The MultiCyclone works on the basis of centrifugal water filtration. There are no moving parts to wear and tear, and no filter media to clean or replace.



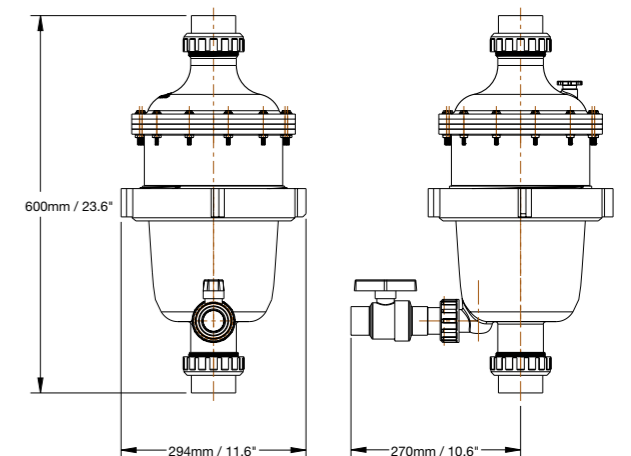
- Incoming water enters 16 hydro cyclones tangentially, generating a strong centrifugal effect.
- The sediment is spun out to the hydro cyclone's wall, and then spirals down to the sediment chamber*.
- The filtered water migrates towards the centre of the hydro cyclone where the flow reverses and spirals upwards through the outlet.
- Accumulation of sediment can be visibly monitored through the MultiCyclone's clear sediment chamber.

*Note: The MultiCyclone is designed to filter sediment that is heavier than water, floating debris cannot be filtered out by centrifugal filtration.

Technical Specifications

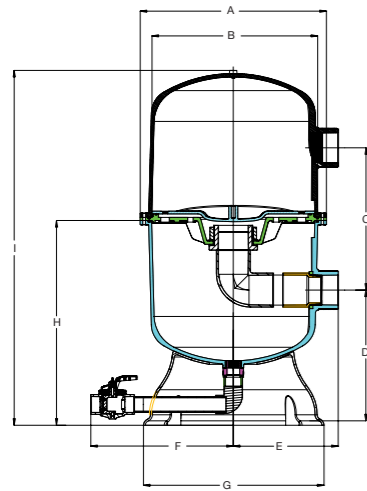
Model	Connection Ports	Minimum Flow	Maximum Flow	Maximum Pressure
MultiCyclone 16	63mm / 2"	50 lpm / 3m³/hr	500 lpm / 30m³/hr	690 kPa (100psi)

Dimension (mm/in)



MULTI CYCLONE 70XL COMMERCIAL

Centrifugal Pre-filtration 3.5 Bar



WATERCO MULTICYCLONE FILTER

Part Number	Product Description	Nominal Size
200393	MultiCyclone 70 XL Commercial	110mm

The MultiCyclone Commercial 70XL is a new addition to the MultiCyclone range. Although very different in appearance to the previously released models, this unit still has all the water and energy saving benefits of the standard MultiCyclone model. Specifically designed for commercial installations, the MultiCyclone Commercial has 100mm ports and uses 70 cyclones allowing it to function with a flow rate of 90m³/hr.

The debris can be seen through the clear sight glass and flushed out of the purge valve.

Specifications

Model	Connection Ports	Minimum Flow	Maximum Flow	Maximum Pressure
MultiCyclone 70 XL Commercial	110mm	36m ³ /hr	90m ³ /hr	3.5Bar/50psi/350kPa

Dimensions (mm)

Model	A	B	C	D	E	F	G	H	I
MultiCyclone Commercial Pre-Filter	710 mm	623.3 mm	542.5 mm	498.9 mm	400 mm	543.6 mm	498.9 mm	780.7 mm	1353.4 mm

MultiCyclone 70XL Head Loss Curve

