

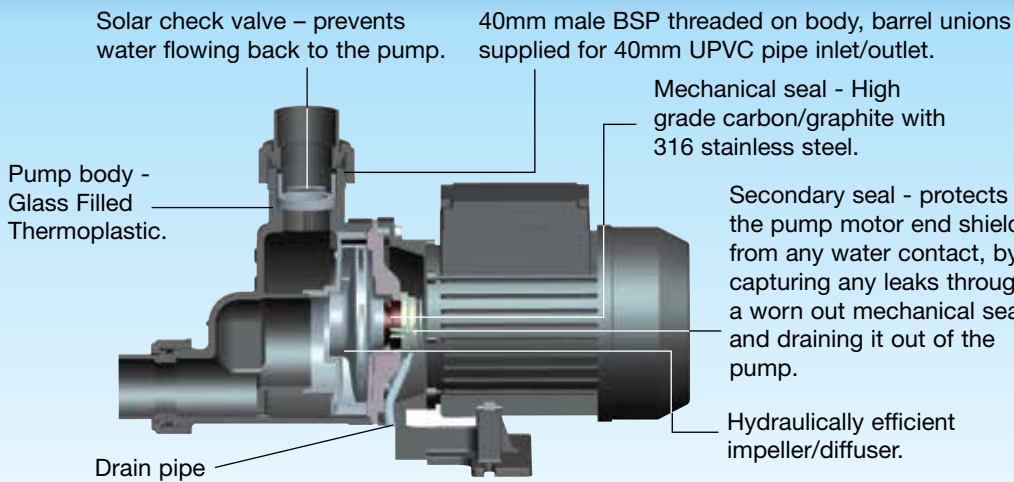
# AQUASTREAM SOLAR PUMPS

## Efficient water circulation

Simple to operate and easy to maintain, the Aquastream solar pump is well known for its quietness and reliability.

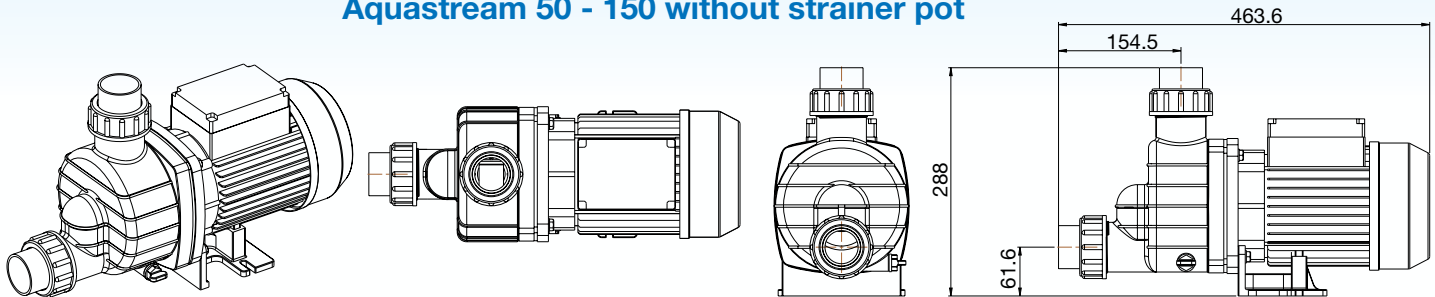
Aquastream solar pumps incorporate essential features required to make them compatible with solar pool heating systems.





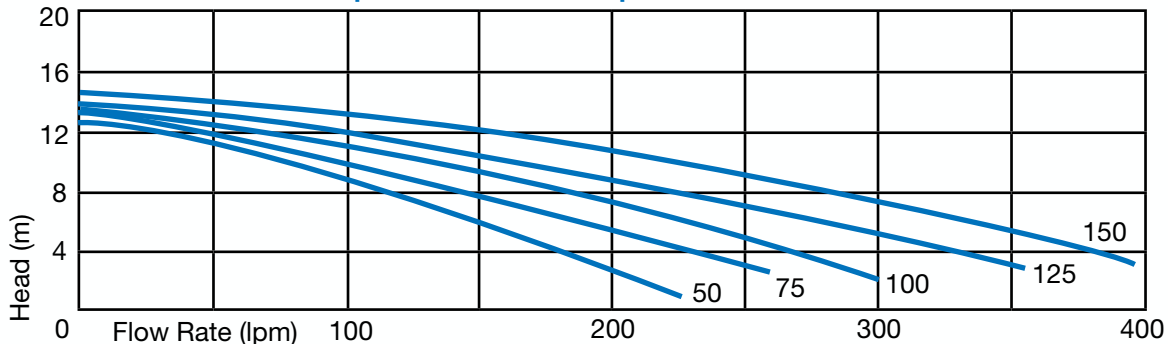
- Heavy duty motor:
- IP44 for Australian/ NZ market and IP55 for overseas market
  - Motor shaft 303 grade stainless steel.
  - Fan cooled.
  - Thermal overload
  - Insect and vermin resistant

### Aquastream 50 - 150 without strainer pot



Model	Nominal HP	kw	Amps	Phase	Volts	Cycle	RPM
Aquastream Solar 50	0.5	0.58	2.5	1	220 - 240	50	22860
Aquastream Solar 75	0.75	0.65	3.0	1	220	50	22860
Aquastream Solar 100	1.00	0.76	3.33	1	220	50	22860
Aquastream Solar 125	1.25	0.88	3.9	1	220	50	22860
Aquastream Solar 150	1.50	1.15	5.0	1	220	50	22860

### Aquastream Solar Pump Performance Chart



### Warranty

Pumps	3 years (conditional)*
Wet End	3 years
Motor, mechanical seal, hair & lint pot lid, o'ring, basket, impeller & diffuser	2 years
Commercial applications	1 year
Labour	1 year

#### OFFICES - AUSTRALIA

NSW - Sydney (Head Office)  
Tel: +61 2 9898 8600  
QLD - Brisbane  
Tel: +61 7 3299 9900  
VIC/TAS - Melbourne  
Tel: +61 3 9764 1211  
WA - Perth  
Tel: +61 8 9273 1900  
SA/NT - Adelaide  
Tel: +61 8 8244 6000  
ACT Distribution  
Tel: +61 2 6280 6476

#### OFFICES - OVERSEAS

Waterco (Europe) Limited  
Sittingbourne, Kent, UK  
Tel: +44 (0) 1795 521 733  
Waterco (USA) Inc  
Augusta, Georgia, USA  
Tel: +1 706 793 7291  
Waterco Canada  
Longueuil, Quebec, Canada  
Tel: +1 450 748 1421  
Waterco (NZ) Limited  
Auckland, New Zealand  
Tel: +64 9 525 7570

Waterco (C) Limited  
Guangzhou, China  
Tel: +86 20 3222 2180

Waterco (Far East) Sdn Bhd  
Selangor, Malaysia  
Tel: +60 3 6145 6000

PT Waterco Indonesia  
Jakarta, Indonesia  
Tel: +62 21 4585 1481

Waterco Singapore Int'l Pte Ltd  
Nehsons Building, Singapore  
Tel: +65 6344 2378

Waterco France  
SAINT PRIEST, France.  
Tel: +33 4 72 79 33 30

### DISTRIBUTED BY:

**WATERCO**  
water, the liquid of life

