

PUMPS / POMPES / PUMPEN / BOMBAS / 水泵

Installation and Operation Manual / Guide d'installation et d'utilisation / Installations- und Betriebsanleitung / Manual de instalación y funcionamiento / 安装与 操作手册



Including / Dont / Einschließlich / Incluyendo / 包括



BAKER HYDRO

LACRON 

WATERCO
water, the liquid of life

www.waterco.com

⚠ WARNING

⚠ AVERTISSEMENT :

⚠ ACHTUNG!

⚠ ADVERTENCIA

⚠ 警告

This equipment must be installed and serviced by a qualified technician. Improper installation can create electrical hazards which could result in property damage, serious injury or death. Improper installation will void the warranty.

L'installation et l'entretien de cet équipement doivent être confiés à un technicien qualifié. Une installation incorrecte risque de provoquer des dégâts, des blessures graves, voire même la mort. Une installation et (ou) utilisation incorrecte(s) va (vont) rendre la garantie nulle et non avenue.

Dieses Gerät muss von einem qualifizierten Techniker installiert und gewartet werden. Eine unsachgemäße Installation kann elektrische Gefahren erzeugen, die zu Sachschäden, schweren Verletzungen oder zum Tod führen können. Eine unsachgemäße Installation führt zum Erlöschen der Garantie.

El equipo lo debe instalar y mantener un técnico formado. Una instalación incorrecta puede originar riesgos de tipo eléctrico que pueden causar daños materiales, lesiones graves o la muerte. Una instalación incorrecta invalidará la garantía.

本设备必须由合格的技术人员安装和维修。安装不当会有电击危险，可能导致财产损失、严重伤害或死亡。安装不当不能享受质保。

Notice to install / Consignes destinées à l'installateur / Hinweis für den Installateur / Nota para el instalador / 安装人员注意事项

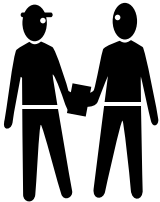
This manual contains important information about the installation, operation and safe use of this product. Once the product has been installed **this manual must be given to the owner/ operator of this equipment.**

Ce manuel contient des informations importantes concernant l'installation, l'exploitation et l'utilisation en toute sécurité de ce produit. Une fois ce produit installé, **il faut remettre ce manuel au propriétaire / exploitant de cet équipement.**

Dieses Handbuch enthält wichtige Informationen über die Installation, den Betrieb und die sichere Verwendung dieses Produkts. Nach der Installation des Produkts muss **diese Anleitung dem Besitzer/Betreiber des Geräts übergeben werden.**

Este manual contiene información importante sobre la instalación, el funcionamiento y el uso seguro de este producto. Una vez se haya instalado el producto, **este manual debe entregarse al propietario/operador del equipo.**

本手册包含关于安装、操作和安全使用本产品的重要信息。产品安装完成后，必须将本手册交给本设备的所有者/操作者。



Note / Note / Hinweis / Nota / 备注:

Table of Contents

GENERAL SAFETY RULES	01
LOCATION	02
INSTALLATION	02
ELECTRICAL CONNECTION	03
THREE PHASE MOTOR	03
WIRING DIAGRAM	03
PRIMING	04
MAINTENANCE	05
FLUID TEMPERATURE	05
SERVICING	05
WARNINGS FOR INSTALLATION AND ASSEMBLY TASKS	06
WARNINGS FOR ASSEMBLY AND MAINTENANCE TASKS	06
TROUBLESHOOTING	07

GENERAL SAFETY RULES

1. The machines mentioned in the manual are specially designed for the pre-filtering and re-circulation of water in swimming pools.
2. They are designed to work with clean water at a temperature not exceeding **35 degrees Celsius (95 degrees Fahrenheit)**.
3. The installation should be carried out in accordance to the safety instructions of swimming pools, **especially Standard HD 60364-7-702**, and the specific instructions for each facility.
4. The rules enforce on accident prevention should be carefully followed.
5. Any modification of the pump requires the **prior consent of the manufacturer**. Original replacement parts and accessories authorized by the manufacturer ensure a high level of safety. The manufacturer of the pump assumes no liability for the damage and injuries **caused by un-authorized replacement parts and accessories**.
6. During operation, some parts of the pump are subject to dangerous electric voltage. Work may only be performed on each pump or on the equipment connected to it after **disconnecting them from the mains power, and after disconnecting the starting device**.
7. The user should make sure that assembly and maintenance tasks are carried out by **qualified authorized persons** and that these persons have first carefully read the instructions for service and installation.
8. The operating safety of the pump is only guaranteed if the installation and service instructions are correctly followed.
9. The limit values stated in the Technical table **should not be exceeded under any condition**.
10. In the event of defective operation or fault, contact the technical support department of the manufacturer or its nearest authorized agents.
11. If the supply cord is damaged, it must be replaced by an authorized service agent.
12. This appliance is not intended for use by persons (including children) with reduced physical, sensory or mental capabilities, or lack of experience and knowledge, unless they have been given supervision or instruction concerning use of the appliance by a person responsible for their safety.
13. The appliance is not intended for use by young children. Young children should be supervised to ensure that they do not play with the appliance.
14. All wiring (electrical work) must be carried out by licensed electricians and must be installed in accordance to the local codes.
15. If the pump is to be installed on a swimming pool or pond situation it is mandatory that an earth leakage circuit breaker with a rated tripping current not exceeding 30mA be installed.

For Use in Europe:

1. This appliance is not intended for use by persons (including children aged from 8 and above) with reduced physical, sensory or mental capabilities, or lack of experience and knowledge, unless they have been given supervision or instruction concerning use of the appliance by a person responsible for their safety.
2. Children should be supervised to ensure that they do not play with the appliance.
3. Cleaning and user maintenance shall not be made by children without supervision.

~ IMPORTANT ELECTRICAL NOTICE ~

The electrical installation is to be done by a licensed electrician.

Each pump requires a circuit breaker to separate the pump from the electrical supply. The contact separation has to provide full disconnection in all poles under overvoltage category III conditions.

*If the pump is to be installed on a swimming pool or pond situation it is **MANDATORY** that an earth leakage circuit breaker with a rated tripping current not exceeding **30mA** be installed.*

Check the pumps name plate for the following: Voltage, Amp draw and Cycle.

*The power cord, including the ground wire shall have a quality of **60245 IEC 66 (H07RN-F)** for models **greater** than **1kW** power input.*

*For models less than **1kW** input the quality shall be of **60245 IEC 57 (H05RN-F)**. All installations must comply with local codes, based on **IEC 60364-7-702** requirements.*

LOCATION

The pump must be located as close as practical to the pool. The pump must also be in a position that enables easy access for periodic servicing.

Care must also be taken to position the pump in an area that is free from flooding in a well ventilated and dry area (The pump motor cooling fan must have a minimum clearance of 150mm).

INSTALLATION

Waterco Limited use the latest technology when designing and manufacturing our pumps, a few simple precautions during installation will ensure years of trouble free operation.

1. The pump suction line should be not smaller than 40mm (1 1/2").
2. The suction line is to have as few bends or elbows as possible. There must not be an air trap on the suction line.
3. Use only the pump barrel unions supplied with the pump.
4. Bolt the pump to the required position (prevent movement).
5. The pump electrical cable must be wired for the proper voltage and rotation in accordance with the wiring instructions.
6. All wiring (electrical) work must be carried out by licensed electricians and must be installed in accordance to the local codes.
7. The motor must be grounded.
8. The weight of the plumbing and fittings is to be independently supported and not carried by the pump.
9. The pump motor cooling fan must have a minimum clearance of 150mm.

ELECTRICAL CONNECTION

Check that the information on the nameplate corresponds to the power supply.

Employ a competent electrician to ensure wiring installation is made in accordance with any local / national rules in the Country where the pump is installed. The national wiring rules in Australia & New Zealand is AS/NZS 3000.

THREE PHASE MOTOR does not come with internal thermal protector and requires either **a fused disconnect switch or a circuit breaker**.

Install and set the safety devices according to the current stated in the nameplate

A **SINGLE PHASE MOTOR** has built in thermal overload switch

THREE PHASE MOTOR

THREE PHASE MOTORS requires a starter switch or magnetic starter with correctly sized overload protection in addition to the fused disconnect switch.

CHECK THE ROTATION OF THREE PHASE MOTORS.

The motor is only suitable for clockwise operation when viewed from the motor end fan (cowl) cover.

Three phase motors could rotate in either direction. Changing any 2 wires of the cable on a three phase motor will reverse the direction of rotation. To check the rotation of the motor, turn on for approximately 1 second. If it is running in the wrong direction turn off power and interchanging any 2 wires and repeat the above step to check.

When installing three phase pumps a separate device must be available for permanent installation, this is so the pump can be isolated from the mains power. **A contact distance of 3mm per pole is required for both three phase and single phase units.**

Motor protection **MUST** be installed corresponding to the nominal current of the motor. **SEE VALUE ON RATING PLATE.**

It is the **RESPONSIBILITY** of the user to ensure adequate protection between the motor and the power supply.

The installer must protect all three phases on the supply of the motor so that the pump cannot run on 1 or 2 phases only.

⚠ WARNING

Before disconnecting electrical connections, shut off the electricity at its source:

EXAMPLE : The fuse or circuit breaker box. Before work is carried out on the pump ensure the pump switch or timers are turned off and **MAKE CERTAIN THE MAINS POWER IS SWITCHED OFF.**

WIRING DIAGRAM

• SINGLE PHASE



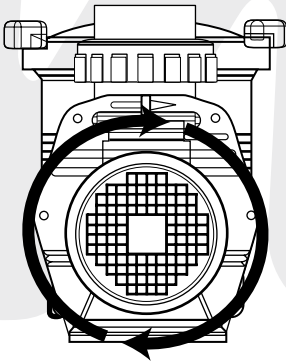
Blue = Neutral
Brown = Live
Green/ Yellow = Earth

• THREE PHASE

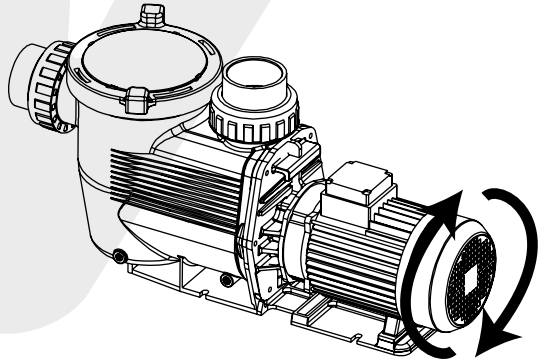


Black = L3
Blue = L2
Brown = L1
Green/ Yellow = Earth

• ROTATION OF 3 PHASE PUMP



CLOCKWISE ROTATION



PRIMING

The Waterco Limited pump will prime and re prime providing the hair and lint pot bowl is full of water and there is sufficient supply from the suction point.

If you lose water from the hair and lint pot bowl it will be necessary to re fill it before starting.

1. Remove the clear lid and fill the hair and lint pot bowl with water.
2. Replace the lid ensuring **the o-ring is correctly** located and start the pump.

After you have done this allow a **few minutes (maximum)** for the pump to start delivering water.

⚠ WARNING

High suction lift or long suction lines will require additional time to prime and can severely affect the performance of the pump. If the pump will not prime, (flow) repeat step 1 and 2 above.

⚠ WARNING

Mechanical seals if allowed to run dry can be damaged rapidly and may need to be replaced.

ENSURE that there is always adequate water in the hair and lint pot bowl before you commence start up.

If you are unable to prime the pump please see the trouble-shooting guide.

*Ensure all **suction and discharge** valves are open before you start the pump, operating the pump with these valves shut can damage the pump.*

MAINTENANCE

The strainer basket in the hair and lint pot bowl should be inspected and cleaned at regular intervals.

1. Remove lid and lift out basket.
2. Remove debris and hose off with clean water if necessary.
3. Inspect the lid gasket, lubricate with **SILICON** based grease only if needed.
If it is damaged replace.
4. Replace the strainer.
5. Re-prime the hair and lint pot bowl.
6. Correctly locate the o-ring.
7. Replace the lid (**hand tighten**) only.
8. Switch on pump.

In Climates where the pump may be **exposed to frost or freezing**, care must be taken to ensure the pump is protected from damage.

It is recommended that if the pump is not used during this winter period it should be **drained completely**.

Waterco Limited supply drain plugs for this purpose.

Do not replace the drain plug. Store it in a safe place until you require the use of the pump.

An example would be within the hair and lint pot bowl basket.

If at all possible remove the pump away and store it in a dry location during this period.

When you re activate the pump ensure all seals and o-rings are in operational condition, re-grease if necessary (**replace**) if unsure of condition.

- *Check that the motor shaft moves freely before re-activation.*

FLUID TEMPERATURE

The permissible temperature is **> than 0°C and < than 35°C**. The pump should never be operated outside of these temperatures or damage may occur.

SERVICING

If the need arises or you are unable to service your Waterco Limited pump always contact your **authorised Waterco Limited Service agent** for advise or infield service.

- *Always use genuine Waterco Limited replacement parts when carrying out pump maintenance.*

WARNINGS FOR INSTALLATION AND ASSEMBLY TASKS

1. When connecting electric cables to the motor of the pump, be careful to correctly arrange them inside the connection box, verify that no bits of cable are left inside the box on closing it. **See that the earth wire is correctly connected.** When connecting the motor, follow the wiring diagram supplied with the pump.
2. Be especially careful **that no water enters the motor or electrical parts under voltage.**
3. In the event that the planned use is not as specified, adaptations and supplementary technical rules may be necessary.

• WARNINGS FOR START UP

Before starting the pump, verify the calibration of the electrical protection devices of the motor and that the protections against electrical and mechanical contacts are correctly positioned and attached.

WARNINGS FOR ASSEMBLY AND MAINTENANCE TASKS

1. **Be especially careful that no water enters the motor or the electrical parts under voltage.**
2. Avoid all contact, even accidental, with the moving parts of the pump.
3. Wait until the pump has stopped completely before handling it in any way.
4. **Before carrying out electrical or mechanical maintenance tasks, make sure that the machine has been disconnected from the mains and that starting devices have been locked.**
5. It is advisable to follow the steps listed below before handling the pump in any way.
 - a) Turn off the voltage to the pump.
 - b) Lock starting devices.
 - c) Verify that there is no voltage in the circuits, including ancillary devices and auxiliary circuits.
 - d) Wait until motor stops completely.

The above list should be considered indicative and not binding for the purpose of safety; specific safety rules may exist in particular regulations.

Regularly verify:

1. The correct attachments of the mechanical parts and of the support screws of the pump.
2. The correct position, attachment and condition of the supply cables and of the insulating parts.
3. The temperature of the motor. In the event of any irregularity stop the machine immediately and have it repaired.
4. The vibration of the pump. In the case of any irregularity, stop the machine immediately and have it repaired.

Owing to the complexity of the cases covered, the instructions for installation, use and maintenance contained in this manual do not attempt to examine all possible and imaginable cases of service and maintenance. If supplementary instructions are required or if special problems arise, do not hesitate to contact the distributor or to address directly the manufacturer of the pump.

TROUBLE SHOOTING

SYMPTOMS	PROBABLE CAUSE	ACTION
1. PUMP WILL NOT PRIME	Suction air leak No water in the pump Closed valves or blocked lines	Make sure water level is correct through suction points. Ensure baskets and strainers are free of debris. Tighten all fittings / unions on the suction side of the pump, remove and replace mechanical seal. Make sure hair and lint pot is full. Open all valves in system, clean skimmer and pump basket, check pump impeller of blockage.
2. MOTOR WILL NOT RUN	No power to motor Pump jammed	Check that all electrical switches are on. Ensure the circuit breakers are properly set. Check if timer is set properly. Check motor wiring at terminals. With power switched off turn pump shaft (should spin freely). If not contact electrician or nearest Waterco Limited branch for service.
3. LOW FLOW	Dirty filter Dirty Skimmer and Pump strainer Suction air leak Closed valve or blocked line	Backwash or clean cartridge. Clean skimmer and pump strainer. See 1. See 1.
4. MOTOR RUNS HOT	Low or incorrect voltage Installed in direct sunlight Poor ventilation	Supply to be corrected by Electrician. Motors run hot to touch and is normal. Thermal overload protector will function to turn them off if there is an overload or high temperature problem. The pump motor cooling fan must have a minimum clearance of 150mm. Shield from the weather. Do not tightly cover or enclose motor.
5. NOISY PUMP OPERATION	Bad bearing Air leak in suction Suction blockage Foreign matter in impeller Cavitations	Have electrician replace. See 1. Locate and clear blockage. Dismantle pump and remove foreign matter and debris from around impeller. Improve suction, reduce suction lift, reduce number of fittings, increase pipe size, increase discharge pressure and reduce flow by throttling discharge valve.
6. MOTOR OVER LOAD CUTS OUT	Motor not connected properly Low incoming voltage Over load due to binding in pump or wrong size impeller	Have electrician check wiring. Have electrician check voltage, ensure pump is not running on an extension cord. Report low supply to authorities. Contact Waterco Limited for service.

Warning: If the Waterco Limited pump is within the stated warranty period and you experience faults always contact your supplier or the nearest Waterco Limited branch for advice. Failure to do this may void warranty. Refer to warranty documentation supplied with pump.

All electrical work is to be carried out by a Qualified Electrician; under no circumstances should you attempt repairs on the electrical components of Waterco Limited pumps unless you are suitably qualified.

Table des matières

RÈGLES GÉNÉRALES SUR LA SÉCURITÉ	09
LIEU D'INSTALLATION	10
INSTALLATION	10
RACCORDEMENT ÉLECTRIQUE	10
MOTEUR TRIPHASÉ	10
SCHÉMA DE CABLAGE	11
AMORÇAGE	12
ENTRETIEN	12
TEMPÉRATURE DU FLUIDE	12
ENTRETIEN	13
AVERTISSEMENTS POUR L'INSTALLATION ET LE MONTAGE	14
AVERTISSEMENTS POUR LE MONTAGE ET L'ENTRETIEN	14
DÉPISTAGE DES DÉFAUTS	15

RÈGLES GÉNÉRALES SUR LA SÉCURITÉ

1. Les machines mentionnées dans le manuel ont été conçues tout spécialement pour le pré-filtrage et le recyclage de l'eau dans les piscines.
2. Elles sont étudiées pour fonctionner avec de l'eau propre, à une température qui ne doit pas dépasser **35°C (95°F)**.
3. L'installation doit être effectuée conformément aux instructions de sécurité pour les piscines, en particulier la **norme HD 60364-7-702**, ainsi qu'aux instructions spécifiques propres à chaque application.
4. Les règles en vigueur pour la prévention des accidents doivent être observées de façon rigoureuse.
5. Avant d'apporter une modification à la pompe, il est nécessaire d'obtenir, au préalable, **le consentement du constructeur**. L'emploi de pièces de rechange et d'accessoires originaux, autorisés par le constructeur, assure un niveau de sécurité élevé. Le constructeur de la pompe décline toute responsabilité pour les dégâts et accidents **dûs au remplacement par des pièces et accessoires non autorisés**.
6. Au cours de l'utilisation, certaines pièces de la pompe sont soumises à des tensions électriques dangereuses. Avant toute intervention sur la pompe ou les équipements raccordés à celle-ci, il est **nécessaire de couper l'alimentation secteur et de débrancher le moteur de la pompe**.
7. L'utilisateur doit confier le montage et l'entretien de la pompe à des **personnes autorisées et qualifiées**, qui doivent lire attentivement les instructions relatives à l'entretien et à l'installation.
8. La sécurité de la pompe au cours de l'exploitation n'est garantie que si les instructions pour l'installation et l'entretien sont suivies correctement.
9. On ne doit **en aucun cas dépasser les valeurs limites** précisées dans la fiche technique.
10. En cas de défaillance ou de défaut, l'utilisateur doit contacter le service d'assistance technique du constructeur ou son agent accrédité le plus proche.
11. Si le câble est abîmé, il doit être remplacé par un technicien de maintenance autorisé.
12. Cet appareil n'est pas conçu pour être utilisé par des personnes (y compris les enfants) dont les capacités physiques, sensorielles ou mentales sont réduites ou qui manquent d'expérience ou de connaissances, sauf sous la supervision ou les instructions relatives à son utilisation par la personne responsable de leur sécurité.
13. L'appareil n'est pas conçu pour être utilisé par de jeunes enfants. Les jeunes enfants doivent être surveillés afin de s'assurer qu'ils ne jouent pas avec l'appareil.
14. Tous les travaux de câblage (électriques) doivent être réalisés par des électriciens agréés et l'installation doit être conforme aux codes locaux.
15. Si la pompe doit être installée dans une piscine ou un bassin, il est obligatoire d'installer un disjoncteur différentiel avec courant de déclenchement nominal maximum de 30 mA.

À utiliser en Europe :

1. Cet appareil n'est pas conçu pour être utilisé par des personnes (y compris les enfants de 8 ans et plus) qui présentent des capacités physiques, sensorielles ou mentales réduites, qui manquent d'expérience et de connaissances, excepté si elles sont supervisées ou conseillées sur l'utilisation de l'appareil par une personne responsable de leur sécurité.
2. Les enfants doivent être surveillés afin de s'assurer qu'ils ne jouent pas avec l'appareil.
3. Le nettoyage et la maintenance de l'appareil ne doivent pas être réalisés par des enfants, même supervisés.

~ REMARQUE ÉLECTRIQUE IMPORTANTE ~

L'installation électrique doit être effectuée par un électricien qualifié.

Chaque pompe nécessite un coupe-circuit pour séparer la pompe de l'alimentation électrique. La distance de contact assure une coupure complète dans les conditions de catégorie de surtension III.

Lorsque la pompe est utilisée pour une piscine ou un bassin, on doit installer **OBLIGATOIREMENT** un coupe-circuit avec mise à la masse, dont le courant de détente nominal ne dépassera pas **30 mA**. Vérifier la tension, la puissance absorbée et le cycle sur la plaque constructeur de la pompe.

Le câble d'alimentation, y compris le fil de terre, doit être conforme à la norme 60245 IEC 66 (H07RN-F) pour les modèles avec puissance consommée supérieure à **1 kW**.

Pour les modèles avec puissance consommée inférieure à **1 kW**, la qualité du câble doit être conforme à la norme **60245 IEC 57 (H05RN-F)**.

Toutes les installations doivent être conformes aux codes locaux, basés sur les spécifications de la norme **IEC 60364-7-702**.

• **RESPECTEZ LE CALIBRE MINIMUM FOURNI DANS LE TABLEAU DE LA NOTICE TECHNIQUE.**

LIEU D'INSTALLATION

La pompe doit être placée le plus près possible de la piscine, dans un emplacement qui facilitera les interventions d'entretien périodiques.

En outre, on doit placer la pompe dans **un lieu sec et bien ventilé, qui ne risque pas d'être inondé** (Un dégagement minimum de 150 mm doit être respecté au niveau du ventilateur de refroidissement du moteur de la pompe).

INSTALLATION

Waterco Limited fait usage de technologies de pointe dans la conception et la fabrication de ses pompes. Quelques simples précautions, prises au cours de l'installation, garantiront un fonctionnement sans problèmes pendant des années.

1. Le tuyau d'aspiration de la pompe ne doit pas être inférieur à 40 mm.
2. La conduite d'aspiration doit comporter le moins de coudes possible.
3. On doit utiliser exclusivement les **raccords de corps de pompe** fournis avec la pompe.
4. Fixer la pompe avec des boulons à l'endroit désiré (pour l'immobiliser).
5. **Le câble électrique doit être raccordé pour la tension et le sens de rotation spécifiés, conformément aux instructions de câblage.**
6. Tous les travaux de câblage électriques doivent être confiés à des **électriciens qualifiés**, et les câbles doivent être installés conformément aux normes locales.
7. Le moteur doit être mis à la masse.
8. Les tuyaux et raccords doivent être soutenus par leurs propres supports, et non pas par la pompe.
9. Un dégagement minimum de 150 mm doit être respecté au niveau du ventilateur de refroidissement du moteur de la pompe.

RACCORDEMENT ÉLECTRIQUE

Vérifiez que les informations indiquées sur la plaque signalétique correspondent à l'alimentation électrique.

Faites appel à un électricien compétent pour installer le câblage conformément aux règlements locaux/nationaux du pays où est utilisée la pompe. Les règlements nationaux applicables en Australie et en Nouvelle-Zélande sont les normes AS/NZS 3000.

Le **MOTEUR TRIPHASÉ** n'est pas muni d'un protecteur thermique interne et requiert **un sectionneur ou un disjoncteur à fusibles**.

Installez et réglez les dispositifs de sécurité conformément au courant indiqué sur la plaque signalétique

UN MOTEUR MONOPHASÉ est équipé d'un interrupteur de surcharge thermique intégré.

MOTEUR TRIPHASÉ

Les **MOTEURS TRIPHASÉS** doivent être munis d'un interrupteur de démarrage ou d'un démarreur magnétique, avec protection adéquate contre les surtensions, en plus du sectionneur à fusible.

VÉRIFIEZ LE SENS DE ROTATION DES MOTEURS TRIPHASÉS.

Le moteur est étudié pour le fonctionnement en rotation dans le sens horaire exclusivement (vu du couvercle de ventilateur côté moteur).

Les moteurs triphasés peuvent tourner dans un sens ou dans l'autre. En permutant un des câbles d'un moteur triphasé, on inverse son sens de rotation. Pour vérifier son sens de rotation, mettre le moteur sous tension pendant 1 seconde environ. S'il tourne dans le mauvais sens, couper l'alimentation, permuter les fils puis vérifier en répétant l'opération ci-dessus.

Lors de l'installation de pompes triphasées, on doit disposer d'un dispositif séparé pour l'installation permanente, afin de permettre l'isolement de la pompe de l'alimentation secteur. **Un écart de contact de 3 mm par pôle est nécessaire pour les moteurs triphasés et les moteurs monophasés.**

La protection du moteur DOIT être installée conformément au courant nominal du moteur **DONT LA VALEUR EST INDIQUÉE SUR LA PLAQUE CONSTRUCTEUR.**

Il incombe à l'utilisateur d'assurer la protection adéquate entre le moteur et l'alimentation électrique.

L'installateur doit protéger les trois phases de l'alimentation du moteur de sorte que la pompe ne puisse pas fonctionner qu'en 1 ou 2 phases.

⚠ AVERTISSEMENT :

Avant de débrancher des raccordements électriques, on doit couper l'alimentation électrique à la source.

EXEMPLE : *Boîtier de fusibles ou de coupe-circuit. Avant toute intervention sur la pompe, on doit vérifier que l'interrupteur ou les minuteries de la pompe ont été mis hors circuit et **S'ASSURER QUE L'ALIMENTATION SECTEUR A ÉTÉ COUPÉE.***

SCHÉMA DE CABLAGE

• MOTEURS MONOPHASÉS (single phase)



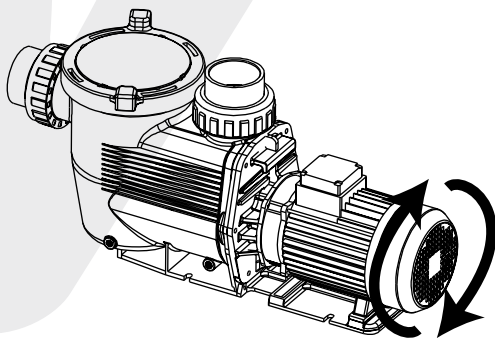
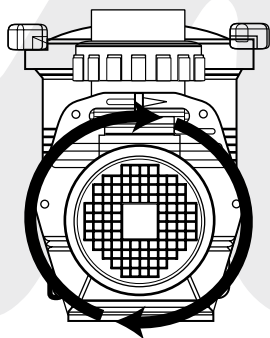
Bleu = Neutre
Marron = Sous tension
Vert/ jaune = Masse

• MOTEURS TRIPHASÉS (Three phase)



Noir = Sous tension 3
Bleu = Sous tension 2
Marron = Sous tension 1
Vert/ jaune = Masse

• ROTATION D'UNE POMPE TRIPHASÉE



ROTATION EN SENS HORAIRE

AMORÇAGE

La pompe Waterco Limited s'amorce et se réamorce à condition que le préfiltre soit plein d'eau, et que le débit au point d'aspiration soit suffisant.

Si vous perdez de l'eau au récipient de cheveux / peluches, vous devez le remplir avant de commencer.

1. Enlevez le couvercle transparent et remplissez le récipient de cheveux / peluches avec de l'eau.
2. Remontez le couvercle en vérifiant que le **joint torique** est remonté correctement, puis lancez la pompe.

Après avoir effectué ces opérations, attendez **(au maximum) quelques minutes** que la pompe commence à refouler de l'eau.

⚠ AVERTISSEMENT :

Avec des hauteurs d'aspiration élevées ou des conduites d'aspiration longues, la pompe met plus longtemps à s'amorcer : ceci risque de limiter fortement son rendement.

Si la pompe ne s'amorce pas (écoulement), répéter les opérations 1 et 2 ci-dessus.

⚠ AVERTISSEMENT :

*En cas de marche à vide, les joints mécaniques risquent de s'user rapidement, et il pourra être alors nécessaire de les remplacer. **VÉRIFIEZ QUE** vous disposez toujours d'un volume d'eau suffisant dans le préfiltre avant d'effectuer la mise en marche.*

Si vous ne parvenez pas à amorcer la pompe, veuillez consulter le guide de dépiage des défauts.

*Avant de mettre la pompe en marche, vérifiez que toutes les **souppes d'aspiration et de refoulement** sont ouvertes. En utilisant la pompe lorsque ces soupapes sont fermées, vous risquez de l'endommager.*

ENTRETIEN

Il est nécessaire d'inspecter et de nettoyer le panier filtrant du préfiltre à des échéances régulières.

1. Enlever le couvercle et extraire le panier filtrant.
2. Enlever les débris et rincer à grande eau (propre), si nécessaire.
3. Inspecter le joint de couvercle, lubrifier avec de la graisse de **SILICONE**, si nécessaire. Si le joint est endommagé, remplacer.
4. Remonter le panier filtrant.
5. Réamorcer le préfiltre.
6. Positionner de façon précise le joint torique.
7. Remonter le couvercle (en serrant à la main seulement).
8. Mettre la pompe en marche.

Dans des climats où la pompe risque d'être **exposée au gel**, on doit la protéger de façon appropriée.

Si vous n'utilisez pas votre pompe pendant les mois d'hiver, nous vous **conseillons** de la **vider entièrement**.

Pour ceci, Waterco Limited fournit des bouchons de purge.

Ne remontez pas le bouchon de purge. Rangez-le en lieu sûr jusqu'à ce que vous utilisiez de nouveau la pompe; par exemple **dans le panier filtrant**.

Dans la mesure du possible, enlevez la pompe et rangez-la dans un lieu sec au cours de cette période.

Lorsque vous actionnez la pompe, vérifiez que les garnitures et les joints toriques sont tous en état de marche; si vous avez le moindre doute sur leur état, re-graissez-les (**remplacez-les**) si nécessaire.

- *Avant toute réactivation, vérifiez que l'arbre du moteur se déplace librement.*

TEMPÉRATURE DU FLUIDE

La plage de températures admissibles est comprise **entre 0 °C et 35 °C**. On ne doit en aucun cas utiliser la pompe hors de cette plage de températures, faute de quoi on risque de l'endommager.

ENTRETIEN

En cas de nécessité, ou si vous n'êtes pas en mesure d'entretenir votre pompe Waterco Limited, vous devez toujours contacter votre **agent accrédité de Waterco Limited** pour l'entretien.

- *Lorsque vous effectuez l'entretien de votre pompe, vous **devez toujours utiliser des pièces de rechange originales Waterco Limited.***

AVERTISSEMENTS POUR L'INSTALLATION ET LE MONTAGE

1. Lors du raccordement de câbles électriques au moteur de la pompe, l'utilisateur doit les installer correctement à l'intérieur du boîtier de raccordement, en veillant de ne pas laisser de morceaux de câble à l'intérieur du boîtier lorsqu'il le referme. **Le fil de terre doit être raccordé correctement.** Pour le raccordement du moteur, suivre le schéma de câblage fourni avec la pompe.
2. On doit faire particulièrement attention que **l'eau ne puisse pas pénétrer dans le moteur ou les composants électriques sous tension.**
3. Si l'application prévue n'est pas conforme, des adaptations et des spécifications additionnelles pourront être nécessaires.

• AVERTISSEMENTS POUR LA MISE EN MARCHÉ

Avant la mise en marche de la pompe, on doit vérifier d'une part le calibrage des dispositifs de protection électrique du moteur, d'autre part que les protections contre les contacts électriques ou mécaniques ont été placées et fixées correctement.

AVERTISSEMENTS POUR LE MONTAGE ET L'ENTRETIEN

1. On doit faire particulièrement attention que l'eau ne puisse pas pénétrer dans le moteur ou les composants électriques sous tension.
2. Eviter tout contact, même fortuit, avec les pièces mobiles de la pompe.
3. Avant toute intervention sur la pompe, attendre que celle-ci se soit arrêtée.
4. Avant l'exécution d'interventions d'entretien électrique ou mécanique, vérifier que l'alimentation secteur de la machine a été coupée et que les dispositifs de démarrage sont bloqués.
5. Avant toute intervention sur la pompe, il est conseillé d'effectuer les opérations suivantes :
 - a) Couper l'alimentation électrique de la pompe.
 - b) Bloquer les dispositifs de démarrage.
 - c) Vérifier que tous les circuits sont hors tension, y compris les dispositifs et circuits connexes.
 - d) Attendre l'arrêt total du moteur.

La liste ci-dessus est fournie à titre indicatif, et n'est pas obligatoire aux fins de la sécurité ; certains règlements peuvent contenir des règles particulières sur la sécurité.

On doit vérifier régulièrement :

1. Que les pièces mécaniques et les vis de support de la pompe sont fixées correctement.
2. Le positionnement, la fixation et l'état des câbles d'alimentation et des pièces isolantes.
3. La température du moteur : si l'on relève la moindre irrégularité, arrêter et réparer immédiatement la machine.
4. Les vibrations de la pompe : si l'on relève la moindre irrégularité, arrêter et réparer immédiatement la machine.

Compte tenu de la complexité des applications prévues, les instructions pour l'installation, l'utilisation et l'entretien, contenues dans le présent manuel, ne sont pas censées couvrir toutes les éventualités possibles et imaginables pour l'assistance et l'entretien. Si vous désirez des instructions supplémentaires ou lorsque des problèmes particuliers surviennent, n'hésitez pas à faire appel à votre distributeur ou à contacter directement le constructeur de la pompe.

DÉPISTAGE DES DÉFAUTS

SYMPTOMES	CAUSE PROBABLE	MESURES A PRENDRE
1. LA POMPE NE S'AMORCE PAS	Fuite de l'air aspiré Absence d'eau dans la pompe Vannes fermées ou conduites obturées	Vérifier que le niveau d'eau est correct aux points d'aspiration, et que les crépines et filtres sont propres et exempts de débris. Serrer tous les raccords à l'aspiration de la pompe. Enlever et remplacer le joint mécanique. Vérifier que le préfiltre est plein. Ouvrir toutes les vannes du circuit, nettoyer le collecteur et le panier du préfiltre, vérifier que le rotor de la pompe tourne librement.
2. LE MOTEUR NE FONCTIONNE PAS	Moteur non alimenté La pompe tombe en panne	Vérifier que tous les commutateurs sont ouverts, et que les disjoncteurs sont armés. Vérifier que la minuterie est réglée correctement et examiner le câblage du moteur aux bornes. Coupez l'alimentation et faites tourner l'arbre de la pompe (il doit tourner librement) : sinon, appelez un électricien ou l'agent Waterco Limited le plus proche.
3. BAS DÉBIT	Filtre sale Collecteur et crépine de pompe sales Fuite de l'air aspiré Vannes fermées ou conduites obturées	Laver ou nettoyer la cartouche. Nettoyer le collecteur et la crépine de pompe. Voir "1". Voir "1".
4. LE MOTEUR CHAUFFE	Tension basse ou erronée Installé à la lumière du soleil Mauvaise ventilation	Appelez un électricien pour rectifier la tension. Il est normal que les moteurs soient chauds au toucher. En cas de surcharge ou de problème de haute température, un dispositif de protection contre les surcharges thermiques se déclenche. Un dégagement minimum de 150 mm doit être respecté au niveau du ventilateur de refroidissement du moteur de la pompe. Abriter la pompe. Ne pas couvrir ou fermer excessivement le moteur.
5. POMPE BRUYANTE	Roulement usé Fuite de l'air aspiré Aspiration obturée Corps étrangers dans le rotor Cavitation	Faire remplacer par un électricien. Voir "1". Dépister et éliminer l'obturation. Débrancher la pompe et enlever les corps étrangers et les débris autour du rotor. Augmenter l'aspiration, réduire la hauteur d'aspiration et le nombre de raccords. Augmenter le diamètre des tuyaux et la pression de refoulement, et réduire le débit en réduisant le débit de la vanne de refoulement.
6. DÉCLENCHEMENT DE LA SURCHARGE DU MOTEUR	Raccordement erroné du moteur Basse tension d'entrée Surcharge due à un grippage dans la pompe ou un rotor aux dimensions erronées	Demander à un électricien de vérifier le câblage. Demander à un électricien de vérifier la tension, vérifier que la pompe n'est pas alimentée par un câble à rallonge. Signalez les basses tensions d'alimentation à la société d'électricité. Appelez le service d'assistance de Waterco Limited.

Avvertissement: si des défauts se déclarent au cours de la période de garantie de la pompe Waterco Limited, contactez notre fournisseur ou la filiale Waterco Limited la plus proche, faute de quoi vous risquez d'annuler la garantie. Voir le certificat de garantie fourni avec la pompe.

Toutes les interventions électriques doivent être effectuées par un électricien qualifié: vous ne devez en aucun cas effectuer vous-même des réparations sur les composants électriques des pompes Waterco Limited, à moins que vous ne soyez qualifié pour ce faire.

Inhaltsverzeichnis

ALLGEMEINE SICHERHEITSBESTIMMUNGEN	17
ORT	18
INSTALLATION	18
ELEKTRISCHE ANSCHLÜSSE	19
DREHSTROMMOTOR	19
ANSCHLUSSBILD	20
ANSAUGEN	21
WARTUNG	22
FLÜSSIGKEITSTEMPERATUR	22
WARTUNG	22
WARNUNGEN IN BEZUG AUF INSTALLATIONS - UND MONTAGEARBEITEN	23
WARNUNGEN IN BEZUG AUF MONTAGE	24
- UND WARTUNGSARBEITEN	
FEHLERSUCHE	25

ALLGEMEINE SICHERHEITSBESTIMMUNGEN

1. Die in dieser Anleitung erwähnten Maschinen sind speziell für das Vorfiltrern und den Umlauf von Wasser in Swimmingpools konstruiert.
2. Sie sind zum Betrieb mit sauberem Wasser bei Temperaturen von maximal **35 Grad Celsius (95 Grad Fahrenheit)** ausgelegt.
3. Die Installation ist in Übereinstimmung mit den Sicherheitsanweisungen für Swimmingpools, **insbesondere der Norm HD 60364-7-702** und den spezifischen Anweisungen für jede Einrichtung, auszuführen.
4. Den für Unfallschutz geltenden Bestimmungen ist sorgfältig Folge zu leisten.
5. Jede Modifikation der Pumpe bedarf der **vorherigen Zustimmung des Herstellers**. Vom Hersteller autorisierte Originale Ersatz- und Zubehörteile gewährleisten ein hohes Niveau an Sicherheit. Der Pumpenhersteller übernimmt keine Haftbarkeit für durch **Verwendung nicht autorisierter Ersatz- und Zubehörteile** verursachte Schäden und Verletzungen.
6. Während des Betriebs unterliegen einige Teile der Pumpe gefährlicher elektrischer Spannung. Arbeiten an jeder Pumpe oder an der daran angeschlossenen Ausrüstung dürfen erst **nach deren Abklemmen vom Netzstrom und nach Abklemmen der Startvorrichtung vorgenommen werden**.
7. Der Benutzer sollte sicherstellen, dass die Montage- und Wartungsarbeiten von **qualifizierten zugelassenen Personen** ausgeführt werden. Dabei ist zu gewährleisten, dass diese Personen zuerst die Anweisungen für Service und Installation sorgfältig durchgelesen haben.
8. Die Betriebssicherheit der Pumpe ist nur garantiert, wenn die Installations- und Serviceanweisungen korrekt befolgt werden.
9. Die in der technischen Tabelle angegebenen Grenzwerte **sind keinesfalls zu überschreiten**.
10. Im Falle defekter Funktion oder eines Mangels, kontaktieren Sie bitte die technische Betriebsabteilung des Herstellers oder seine nächstgelegene Vertretung.
11. Wenn das Zuleitungskabel beschädigt ist, muss es bei einem zugelassenen Fachman ersetzt werden.
12. Dieses Gerät darf von Kindern und Personen mit verminderter körperlicher, sensorischer oder geistiger Fähigkeit oder mit fehlenden Erfahrungen und Kenntnissen nur dann verwendet werden, wenn sie von einer Person, die für ihre Sicherheit verantwortlich ist, beaufsichtigt werden und sie im Gebrauch und hinsichtlich der potentiellen Gefahren des Geräts unterwiesen wurden.
13. Das Gerät ist nicht für die Verwendung durch kleine Kinder vorgesehen. Kleine Kinder müssen beaufsichtigt werden, um sicher zu stellen, dass sie mit dem Gerät nicht spielen.
14. Alle Verdrahtungsarbeiten (elektrische Arbeiten) müssen von einer zugelassenen Elektrofachkraft in Übereinstimmung mit den örtlichen Vorschriften ausgeführt werden.
15. Wenn die Pumpe für ein Schwimmbecken oder einen Teich installiert werden soll, ist es zwingend erforderlich, dass ein Fehlerstromschutzschalter mit einem Bemessungsauslösestrom von nicht mehr als 30 mA installiert wird.

Zum Einsatz in Europa:

1. Dieses Gerät ist nicht für den Gebrauch durch Personen (einschließlich Kinder von 8 Jahren und älter) mit eingeschränkter körperlicher, sensorischer oder geistiger Leistungsfähigkeit oder mangelnder Erfahrung und Kenntnis bestimmt, es sei denn, es werden von einer Person, die für ihre Sicherheit verantwortlich ist, beaufsichtigt oder in die Benutzung des Geräts eingewiesen.
2. Kinder sollten beaufsichtigt werden, um sicherzustellen, dass sie nicht mit dem Gerät spielen.
3. Reinigung und Wartung durch den Anwender sollten nicht von Kindern durchgeführt werden, auch wenn sie dabei beaufsichtigt werden.

~ WICHTIGE ELEKTRO-HINWEISE ~

Die elektrische Installation ist von einem qualifizierten Elektriker vorzunehmen.

Jede Pumpe benötigt einen Leistungsschutzschalter, um die Pumpe von der Stromversorgung zu trennen. der Kontaktabstand soll eine volle Abschaltung unter den Bedingungen der Überspannungskategorie III sichern.

Wird die Pumpe in einer Swimmingpool- oder Teichanlage installiert, ist es **OBLIGATORISCH** einen Fehlerstrom-Schutzschalter mit einem bemessenen Auslösestrom von nicht mehr als 30 mA zu installieren.

Überprüfen Sie das Typenschild der Pumpe auf folgendes: Spannung, Stromstärke und Hertz.

Das Stromkabel, einschließlich des Erdleiters, soll die Qualität **60245 IEC 66 (H07RN-F)** für Modelle **größer** als **1 kW** Leistungsaufnahme aufweisen.

Für Modelle **kleiner** als **1 kW** soll die Qualität **60245 IEC 57 (H05RN-F)** sein.

Alle Installationen müssen örtliche Vorschriften erfüllen, denen die Anforderungen **IEC 60364-7-702** zu Grunde liegen.

• **DIE IN DER TABELLE DES TECHNISCHEN HANDBUCHS ANGEGEBENE MINDESTSTÄRKE BEACHTEN.**

ORT

Die Pumpe ist praktisch und in nächster Nähe des Swimmingpools zu platzieren. Die Pumpe muss sich außerdem in einer Position befinden, die leichten Zugang für periodische Wartung ermöglicht.

Ebenso ist darauf zu achten, dass die Pumpe in einem Bereich installiert wird, der keiner Überschwemmung ausgesetzt ist, d.h. in einem gut belüfteten, trockenen Bereich (Das Kühlgebläse des Pumpenmotors muss einen Mindestabstand von 150 mm haben).

INSTALLATION

Das Unternehmen Waterco Limited verwendet modernste Technologie bei der Konstruktion und Fertigung unserer Pumpen; einige einfache Vorsichtsmaßnahmen bei der Installation werden jahrelangen, störungsfreien Betrieb sicherstellen.

1. Die Saugleitung der Pumpe sollte nicht kleiner als **40 mm (1 1/2")** sein.
2. Die Ansaugleitung soll so wenig Krümmer bzw. Winkelverschraubungen wie möglich aufweisen.
3. Verwenden Sie nur die mit der Pumpe gelieferten **Pumpen-Anschlußverschraubungen**.
4. Befestigen Sie die Pumpe mit Bolzen in der erforderlichen Position (verhindert Verschieben).
5. **Die Stromkabel der Pumpe sind der geeigneten Spannung und korrekten Drehrichtung entsprechend, in Übereinstimmung mit den Verdrahtungs-anweisungen, anzubringen.**
6. Alle Verdrahtungs- bzw. Elektroarbeiten sind von qualifizierten Elektrikern und in Übereinstimmung mit örtlichen Vorschriften auszuführen.
7. Der Motor ist zu erden.
8. Das Gewicht der Rohre und Zubehörteile ist unabhängig zu unterstützen und nicht von der Pumpe zu tragen.
9. Das Kühlgebläse des Pumpenmotors muss einen Mindestabstand von 150 mm haben.

ELEKTRISCHE ANSCHLÜSSE

Vergewissern Sie sich, dass die Angaben auf dem Typenschild der Stromversorgung entsprechen.

Die Verkabelung muss von einem fachkundigen Elektriker ausgeführt werden, um zu gewährleisten, dass sie in Übereinstimmung mit allen örtlichen und nationalen Regeln des Landes erfolgt, in dem die Pumpe installiert wird. Die nationalen Verdrahtungsregeln für Australien und Neuseeland sind in der Norm AS/NZS 3000 enthalten.

Ein **DREHSTROMMOTOR** ist nicht mit einem internen Wärmeschutzschalter ausgestattet und benötigt entweder **einen abgesicherten Trennschalter oder einen Leistungsschalter**.

Installieren und richten Sie die Sicherungsvorrichtungen nach der auf dem Typenschild angegebenen Stromstärke ein.

Ein **EINPHASENMOTOR** hat einen eingebauten Wärmeschutzschalter.

DREHSTROMMOTOR

Zusätzlich zu dem mit einer Sicherung versehenen Trennschalter benötigt ein DREHSTROMMOTOR einen Starter bzw. Magnetstarter mit korrekt bemessenem Überlastschutz.

PRÜFEN SIE DIE DREHRICHTUNG DES DREHSTROMMOTORS.

Vom Motorende (Ventilatordeckel) aus betrachtet, eignet sich der Motor nur für Drehung im Uhrzeigersinn.

Der Drehstrommotor kann sich in der einen oder anderen Richtung drehen. Wechseln eines der Kabel an einem Drehstrommotor kehrt die Drehrichtung um. Zur Überprüfung der Drehrichtung des Motors ist dieser 1 Sekunde lang einzuschalten. Dreht er sich in der falschen Richtung, ist der Strom auszuschalten und der obige Überprüfungsschritt zu wiederholen.

Bei der Installation einer dreiphasigen Pumpe, muss eine Trennvorrichtung für permanenten Einbau zur Verfügung stehen, damit die Pumpe vom Netzstrom isoliert werden kann. **Ein Kontaktabstand von 3 mm pro Pol ist erforderlich, für dreiphasige und einphasige Pumpen.**

Motorschutz MUSS dem Nennstrom des Motors entsprechend installiert werden. **SIEHE WERT AUF DEM LEISTUNGSSCHILD.**

Es obliegt der **VERANTWORTLICHKEIT** des Anwenders angemessenen Schutz zwischen dem Motor und der Stromversorgung sicherzustellen.

Der Installateur muss alle drei Phasen an der Versorgung des Motors schützen, damit die Pumpe nicht nur mit 1 oder 2 Phasen laufen kann.

⚠ ACHTUNG!

*Vor dem Trennen elektrischer Anschlüsse ist der Strom an seiner Quelle, z.B. am Sicherungs- oder Leistungsschalterkasten abzuschalten. Vor Durchführung von Arbeiten an der Pumpe ist sicherzustellen, dass der Pumpenschalter bzw. die Zeitgeber ausgeschaltet sind. **STELLEN SIE SICHER, DASS DER NETZSTROM AUSGESCHALTET IST.***

ANSCHLUSSBILD

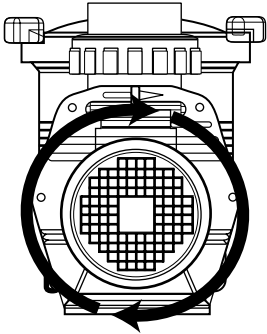
• EINPHASIG



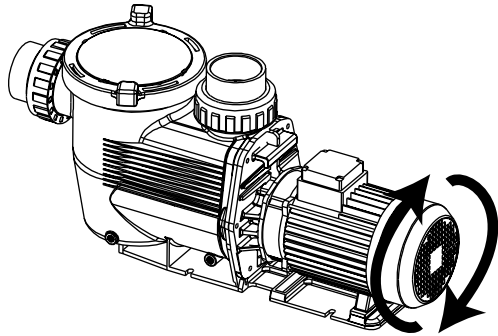
• DREIPHASIG



• DREHRICHTUNG DER PUMPE MIT DREHSTROMMOTOR



DREHUNG IM UHRZEIGERSINN



ANSAUGEN

Die Pumpe von Waterco Limited wird immer wieder erneut ansaugen, vorausgesetzt, dass der Filterkorbtopf voll Wasser ist, und vom Ansaugpunkt genügend Wasservorrat zur Verfügung steht.

Falls Sie Wasser aus dem Filterkorbtopf verlieren, muss dieser vor Starten wieder gefüllt werden.

1. Entfernen Sie den klaren Deckel und füllen Sie den Filterkorbtopf mit Wasser.
2. Den Deckel wieder aufsetzen, und dabei auf **korrekte Lage des O-Rings achten**, dann die Pumpe starten.

Danach **einige Minuten (Maximum) warten**, bis die Pumpe Wasser zu fördern beginnt.

⚠ ACHTUNG!

Hoher Ansaughub oder lange Ansaugleitungen benötigen zusätzliche Zeit zum Ansaugen und können die Leistung der Pumpe stark beeinträchtigen.

Falls die Pumpe nicht ansaugt (fluss), sind die obigen Schritte 1 und 2 zu wiederholen.

⚠ ACHTUNG!

*Gleitringdichtungen können sehr schnell beschädigt werden, wenn man Trockenlauf zulässt, und sind nötigenfalls zu ersetzen. **STELLEN SIE SICHER**, dass stets genügend Wasser in der Filterkorbschale vorhanden ist, bevor Sie mit der Inbetriebnahme beginnen.*

Sehen Sie bitte in der Anleitung für Fehlersuche nach, falls Sie die Pumpe nicht vorfüllen können.

*Achten Sie darauf, dass **alle Ansaug- und Förderstromventile offen sind**, bevor Sie die Pumpe starten. Betreiben der Pumpe, wenn diese Ventile geschlossen sind, kann zur Beschädigung der Pumpe führen.*

WARTUNG

Der Filterkorb ist in regelmäßigen Abständen zu inspizieren und zu reinigen.

1. Deckel abnehmen und den Korb herausheben.
2. Verunreinigungen entfernen und den Korb nötigenfalls mit sauberem Wasser abspritzen.
3. Deckeldichtung inspizieren und nur wenn erforderlich mit Fett auf **SILICON**-Basis schmieren. Beschädigte Dichtungen sind zu ersetzen.
4. Filterkorb wieder einsetzen.
5. Filterkorbschale wieder vorfüllen.
6. O-Ring korrekt platzieren.
7. Deckel wieder anbringen (**nur fingerfest anziehen**).
8. Pumpe einschalten.

In Klimazonen, wo die Pumpe möglicherweise **Frost- oder Gefrierbedingungen ausgesetzt ist**, muss man sicherstellen, dass die Pumpe vor Beschädigung geschützt wird.

Völlige Entleerung der Pumpe wird **empfohlen**, wenn sie in der Winterzeit nicht zum Einsatz kommt.

Waterco Limited liefert Ablasschrauben gerade für diesen Zweck.

Die Ablasschraube nicht wieder eindrehen, sondern an einem sicheren Ort aufbewahren, **z. B. im Filterkorb**, bis Sie die Pumpe wieder brauchen.

Wenn irgend möglich, ist die Pumpe auszubauen und während dieser Zeit an einem trockenen Ort aufzubewahren.

Bei Reaktivieren der Pumpe ist darauf zu achten, dass sich alle Dichtungen und O-Ringe in betriebsfähigem Zustand befinden; nötigenfalls neu einfetten bzw. **ersetzen**, wenn Zweifel hinsichtlich Zustand vorliegen.

• ***Vor Reaktivieren ist die Motorwelle auf freie Bewegung zu überprüfen.***

FLÜSSIGKEITSTEMPERATUR

Die zulässige Temperatur ist **> als 0°C und < als 35°C**. Die Pumpe ist keinesfalls außerhalb dieser Temperaturen zu betreiben. Nichtbeachtung kann Beschädigung zur Folge haben.

WARTUNG

Nötigenfalls, oder wenn Sie nicht in der Lage sind, Ihre Pumpe von Waterco Limited zu warten, kontaktieren Sie stets Ihren **bevollmächtigten Servicevertreter von Waterco Limited** zwecks Beratung oder Service vor Ort.

• ***Bei Pumpenwartung, nötigenfalls stets Originalersatzteile von Waterco Limited verwenden.***

WARNUNGEN IN BEZUG AUF INSTALLATIONS - UND MONTAGEARBEITEN

1. Beim Anschließen elektrischer Kabel an den Pumpenmotor, ist sorgfältig darauf zu achten, sie korrekt im Anschlusskasten anzuordnen. Vergewissern Sie sich vor dem Schließen, dass keine Kabelstückchen im Kasten zurückgelassen worden sind. **Achten Sie darauf, dass der Erdleiter korrekt angeschlossen ist.** Beim Anschließen des Motors ist nach dem mit der Pumpe mitgelieferten Schaltplan zu verfahren.
2. Achten Sie besonders sorgfältig darauf, **dass kein Wasser in den Motor oder in die unter Spannung stehenden Teile eindringt.**
3. Für den Fall, dass die geplante Verwendung nicht der spezifizierten entspricht, sind möglicherweise Anpassungen und zusätzliche technische Bestimmungen erforderlich.

WARNUNGEN BEZÜGLICH STARTEN

- *Vor Starten der Pumpe ist die Eichung bzw. Kalibrierung der elektrischen Schutzvorrichtungen des Motors zu verifizieren, und dass sich alle Schutze gegen Berührung elektrischer oder mechanischer Kontakte an Ort und Stelle befinden.*

WARNUNGEN IN BEZUG AUF MONTAGE - UND WARTUNGSARBEITEN

1. **Achten Sie besonders sorgfältig darauf, dass kein Wasser in den Motor oder in die unter Spannung stehenden elektrischen Teile eindringt.**
2. Vermeiden Sie jeglichen, selbst zufälligen, Kontakt mit den beweglichen Teilen der Pumpe.
3. Warten Sie bis die Pumpe völlig zum Stillstand gekommen ist, bevor Sie diese auf irgendeine Weise handhaben.
4. **Stellen Sie vor Durchführen elektrischer oder mechanischer Wartungsarbeiten sicher, dass die Maschine vom Netz abgeklemmt ist und die Startvorrichtungen verriegelt worden sind.**
5. Es ist ratsam, die unten aufgeführten Schritte zu befolgen, bevor die Pumpe in irgendeiner Weise gehandhabt wird.
 - a) Unterbrechen Sie die Spannung zur Pumpe.
 - b) Verriegeln Sie die Startvorrichtungen.
 - c) Verifizieren Sie, dass keine Spannung an den Schaltungen, einschließlich Hilfsvorrichtungen und Hilfsschaltungen, anliegt.
 - d) Warten Sie bis der Motor gänzlich stillsteht.

Die obige Liste ist für die Sicherheitszwecke nur indikativ und nicht bindend zu betrachten; spezielle Sicherheitsbestimmungen können vielleicht in besonderen Vorschriften vorliegen.

Prüfen Sie regelmäßig:

1. Die korrekten Befestigungen der mechanischen Teile und der Stützschauben der Pumpe.
2. Die korrekte Position, Befestigung und Kondition der Versorgungskabel und der Isolierteile.
3. Die Temperatur des Motors. Bei der geringsten Unregelmäßigkeit ist die Maschine sofort zu stoppen und reparieren zu lassen.
4. Die Vibration bzw. Schwingung der Pumpe. Bei irgendeiner Unregelmäßigkeit ist die Maschine sofort zu stoppen und reparieren zu lassen.

Aufgrund der Komplexität der abgedeckten Fälle, versuchen die in dieser Anleitung hinsichtlich Installation, Verwendung und Wartung enthaltenen Anweisungen nicht, alle möglichen und vorstellbaren Fälle von Service und Wartung zu untersuchen. Wenn zusätzliche Anweisungen erforderlich sind, oder wenn spezielle Probleme auftauchen, dann zögern Sie bitte nicht, den Vertriebshändler zu kontaktieren oder sich direkt mit dem Pumpenhersteller in Verbindung zu setzen.

FEHLERSUCHE

SYMPTOME	MÖGLICHE URSACHE	ABHILFE
1. PUMPE SAUGT NICHT AN	Ansaugluftleck Kein Wasser in der Pumpe Geschlossene Ventile oder blockierte Leitungen	Sicherstellen, dass der Wasserpegel durch den Ansaugpunkt korrekt ist. Sicherstellen, dass Körbe und Siebe frei von Verunreinigungen sind. Alle Zubehör/ Rohrverbindungen auf der Ansaugseite der Pumpe festziehen, Gleitringdichtung entfernen und ersetzen. Sicherstellen, dass Filterkorbschale voll ist. Alle Ventile im System öffnen, Skimmer und Pumpenkorb reinigen, Pumpenlaufrad auf Blockierung prüfen.
2. MOTOR LÄUFT NICHT	Kein Strom zum Motor Pumpe blockiert	Prüfen, dass alle elektrischen Schalter an sind. Sicherstellen, dass die Leistungsschutzschalter richtig eingestellt sind. Überprüfen, ob der Zeitgeber richtig eingestellt ist. Motorverdrahtung an den Klemmen überprüfen. Bei ausgeschaltetem Strom ist die Pumpenwelle zu drehen (sollte sich frei drehen). Wenn nicht, Elektriker oder nächste Waterco Limited Filiale zwecks Service kontaktieren.
3. GERINGER DURCHFLUSS	Verschmutzter Filter Skimmer und Pumpensieb verschmutzt Ansaugluftleck Geschlossenes Ventil oder blockierte Leitung	Rückspülen oder Patronen reinigen. Skimmer und Pumpensieb reinigen. Siehe 1. Siehe 1.
4. MOTOR LÄUFT HEISS	Niedrige oder falsche Spannung In direktem Sonnenlicht installiert Schlechte Ventilation	Versorgung ist vom Elektriker zu berichtigen. Motoren laufen berührungsheiss, was normal ist. Der Übertemperaturschutz wird funktionieren und sie ausschalten, falls ein Überlast- oder Hochtemperaturproblem vorliegt. Das Kühlgebläse des Pumpenmotors muss einen Mindestabstand von 150 mm haben. Gegen Wetter abschirmen. Motor keinesfalls dicht abdecken oder einschließen.
5. LAUTER BETRIEB DER PUMPE	Abgenutztes Lager Luftleck in der Ansaugung Ansaugblockierung Fremdkörper im Laufrad Kavitation	Durch Elektriker zu ersetzen. Siehe 1. Blockierung auffinden und beseitigen. Pumpe auseinandernehmen und Fremdkörper und Verunreinigungen um das Laufrad herum entfernen. Ansaugung verbessern, Ansaughub reduzieren, Anzahl von Zubehörteilen reduzieren, Rohrgröße vergrößern, Förderdruck erhöhen und Durchfluss durch Drosseln des Förderventils reduzieren.
6. MOTORÜBERLAST LÖST AUS	Motor nicht richtig verkabelt Niedrige Eingangsspannung Überlastung, wegen Verklemmen in der Pumpe oder Laufrad falscher Größe	Verdrahtung vom Elektriker überprüfen lassen. Spannung vom Elektriker überprüfen lassen, sicherstellen, dass die Pumpe nicht mit einem Verlängerungskabel läuft. Niedrige Versorgung dem Stromversorgungsunternehmen melden. Waterco Limited zwecks Service kontaktieren.

ACHTUNG! Wenn sich die Waterco Limited Pumpe innerhalb der angegebenen Garantiezeit befindet und Sie Fehler feststellen, setzen Sie sich bitte stets mit Ihrem Lieferanten oder Ihrer nächsten Waterco Limited Niederlassung zwecks Beratung in Verbindung. Nichtbeachtung könnte die Garantie ungültig machen. Beziehen Sie sich bitte auf die mit der Pumpe mitgelieferte Garantiedokumentation.

Alle Elektroarbeiten sind von qualifizierten Elektrikern auszuführen. Ohne die notwendige Qualifikationen, sollten Sie keinesfalls versuchen, Elektrobauteile von Waterco Limited Pumpen zu reparieren.

Índice

NORMAS GENERALES DE SEGURIDAD	27
UBICACIÓN	27
INSTALACIÓN	28
CONEXIÓN ELÉCTRICA	28
MOTOR TRIFÁSICO	28
DIAGRAMA DE CABLEADO	29
CEBADO	30
MANTENIMIENTO	30
TEMPERATURA DEL LÍQUIDO	30
SERVICIO	31
ADVERTENCIAS PARA LOS TRABAJOS DE	32
INSTALACIÓN Y MONTAJE	
ADVERTENCIAS PARA LOS TRABAJOS DE	32
MONTAJE Y MANTENIMIENTO	
SOLUCIÓN DE PROBLEMAS	33

NORMAS GENERALES DE SEGURIDAD

1. Las máquinas mencionadas en el manual están especialmente diseñadas para la prefiltración y recirculación del agua en las piscinas.
2. Están diseñadas para funcionar con agua limpia a una temperatura máxima de **35 grados centígrados (95 grados Fahrenheit)**.
3. La instalación debe realizarse de acuerdo con las instrucciones de seguridad para piscinas, **especialmente la norma IEC 60364-7-702**, y las instrucciones específicas de cada instalación.
4. Las normas que se aplican para la prevención de accidentes deben seguirse cuidadosamente.
5. Toda modificación del filtro requiere el **consentimiento previo del fabricante**. Las piezas de repuesto y los accesorios originales autorizados por el fabricante aseguran un alto nivel de seguridad. El fabricante de la bomba no asume ninguna responsabilidad por los daños y lesiones **causados por piezas de recambio y accesorios no autorizados**.
6. Durante el funcionamiento, algunas partes de la bomba están sujetas a un voltaje eléctrico peligroso. Solo pueden realizarse trabajos en una bomba o en los equipos conectados a ella después **de desconectarlos de la red eléctrica y después de desconectar el dispositivo de arranque**.
7. El usuario debe asegurarse de que los trabajos de montaje y mantenimiento son realizados por **personas cualificadas autorizadas** y de que estas personas han leído primero detenidamente las siguientes instrucciones de servicio e instalación.
8. La seguridad operativa de la bomba solo se garantiza si se siguen correctamente las instrucciones de instalación y servicio.
9. Los valores límite establecidos en la tabla técnica **no deben superarse bajo ninguna circunstancia**.
10. En caso de funcionamiento defectuoso o de avería, póngase en contacto con el departamento de asistencia técnica del fabricante o con sus agentes autorizados más cercanos.
11. Si el cable de alimentación está dañado, debe ser reemplazado por un agente de servicio autorizado.
12. Este aparato no está destinado a ser utilizado por personas (incluidos los niños) con capacidades físicas, sensoriales o mentales reducidas, o que carezcan de experiencia y conocimientos, salvo que estén supervisados por una persona responsable de su seguridad o que dicha persona les haya dado instrucciones sobre el uso del aparato.
13. Los niños deben estar vigilados para garantizar que no juegan con el equipo.
14. Todo el trabajo de cableado (eléctrico) debe ser realizado por electricistas autorizados y debe instalarse de conformidad con los códigos locales.
15. Si la bomba va a instalarse en una piscina o en un estanque, es obligatorio que se instale un disyuntor de fuga a tierra con una corriente nominal de activación no superior a 30 mA.

Para su uso en Europa:

1. Este aparato no está destinado a ser utilizado por personas (incluidos los niños a partir de 8 años) con capacidades físicas, sensoriales o mentales reducidas, o que carezcan de experiencia y conocimientos, salvo que estén supervisados por una persona responsable de su seguridad o que dicha persona les haya dado instrucciones sobre el uso del aparato.
2. Los niños deben estar vigilados para garantizar que no juegan con el equipo.
3. La limpieza y mantenimiento por parte del usuario no deben realizarla niños, ni siquiera bajo la supervisión de un adulto.

~ AVISO ELÉCTRICO IMPORTANTE ~

La instalación eléctrica debe ser realizada por un electricista autorizado.

Cada bomba requiere un interruptor de circuito para separar la bomba del suministro eléctrico.

La separación entre contactos tiene que ser capaz de desconectar completamente todos los polos en condiciones de sobrevoltaje de categoría iii.

*Si la bomba va a instalarse en una piscina o en un estanque, es **OBLIGATORIO** que se instale un interruptor de salida a tierra con una corriente nominal de activación no superior a **30 mA**.*

Compruebe lo siguiente en la placa de características de las bombas: voltaje, amperaje y ciclo.

*El cable de alimentación, incluido el cable a tierra, tendrá una calidad de **60245 IEC 66 (H07RN-F)** para los modelos de más de **1 kW** de entrada de energía.*

*Para los modelos de menos de **1 kW** de entrada, la calidad será de **60245 IEC 57 (H05RN-F)**.*

*Todas las instalaciones deben cumplir con los códigos locales, basados en los requisitos de **IEC 60364-7-702**.*

UBICACIÓN

La bomba debe colocarse lo más cerca posible de la piscina. La bomba también debe estar en una posición que permita un fácil acceso para su mantenimiento periódico.

También hay que tomar precauciones para colocar la bomba en una zona donde no haya riesgo de inundación y que esté bien ventilada y seca. (El ventilador de refrigeración del motor de la bomba debe tener una holgura mínima de 150 mm).

INSTALACIÓN

Waterco Limited utiliza la última tecnología en el diseño y la fabricación de nuestras bombas, unas simples precauciones durante la instalación garantizarán años de funcionamiento sin problemas.

1. La línea de la bomba de succión no debe ser inferior a 40 mm (1 1/2").
2. La línea de succión debe tener el menor número posible de tubos curvados o codos. No debe haber un sifón de aire en la línea de succión.
3. Use solo las uniones de tambor de la bomba que se suministran con esta.
4. Atornille la bomba en la posición requerida (para evitar el movimiento).
5. El cableado eléctrico de la bomba debe conectarse de forma que haya un voltaje y una rotación adecuados de acuerdo con las instrucciones de cableado.
6. Todo el trabajo de cableado (eléctrico) debe ser realizado por electricistas autorizados y debe instalarse de acuerdo a los códigos locales.
7. El motor debe estar conectado a tierra.
8. El peso de las tuberías y los empalmes debe apoyarse de forma independiente y no estar soportado por la bomba.
9. El ventilador de refrigeración del motor de la bomba tiene que tener una holgura mínima de 150 mm.

CONEXIÓN ELÉCTRICA

Compruebe que la información en la placa de características se corresponde con la fuente de alimentación.

Contrate a un electricista competente para garantizar que la instalación del cableado se realiza según lo establecido en las normativas locales o nacionales del país en el que se instale la bomba. Las normativas nacionales en Australia y Nueva Zelanda son AS/NZS 3000.

El **MOTOR TRIFÁSICO** no tiene un protector térmico interno y requiere un **interruptor de desconexión con fusibles o un interruptor automático**.

Instale y ajuste los dispositivos de seguridad de acuerdo con la corriente que se indica en la placa de características

El **MOTOR MONOFÁSICO** tiene un interruptor de sobrecarga térmica incorporado.

MOTOR TRIFÁSICO

LOS MOTORES TRIFÁSICOS requieren un interruptor de arranque o un arrancador magnético con una protección de sobrecarga de tamaño correcto, además del interruptor de desconexión con fusible.

COMPROBACIÓN DE LA ROTACIÓN DE LOS MOTORES TRIFÁSICOS.

El motor solo puede funcionar en el sentido de las agujas del reloj si se mira desde la cubierta del ventilador (capucha) al final del motor.

Los motores trifásicos podrían girar en cualquier dirección. Cambiar 2 hilos cualesquiera del cable en un motor trifásico invertirá la dirección de la rotación. Para comprobar la rotación del motor, enciéndalo durante aproximadamente 1 segundo. Si está funcionando en la dirección equivocada, apague el circuito de alimentación e intercambie 2 hilos cualesquiera y repita el paso anterior para comprobarlo.

Al instalar bombas trifásicas, se debe disponer de un dispositivo separado para la instalación permanente, **esto es para que la bomba pueda aislarse de la red eléctrica. Se requiere una distancia entre contactos de 3 mm por polo tanto para las unidades trifásicas como para las monofásicas.**

La protección del motor DEBE instalarse de acuerdo con la corriente nominal del motor. **CONSULTE EL VALOR EN LA PLACA DE CARACTERÍSTICAS.**

Es **RESPONSABILIDAD** del usuario garantizar una protección adecuada entre el motor y la fuente de alimentación.

El instalador debe proteger las tres fases en el suministro del motor para que la bomba no pueda funcionar solo con 1 o 2 fases.

⚠ ADVERTENCIA

Antes de desconectar las conexiones eléctricas, desconecte la fuente de suministro eléctrico:

EJEMPLO: la caja de fusibles o de interruptores de circuito. Antes de realizar cualquier trabajo en la bomba, asegúrese de que el interruptor o los temporizadores de la bomba estén desconectados y **DE QUE LA CORRIENTE ELÉCTRICA ESTÉ DESCONECTADA.**

DIAGRAMA DE CABLEADO

• MONOFÁSICO



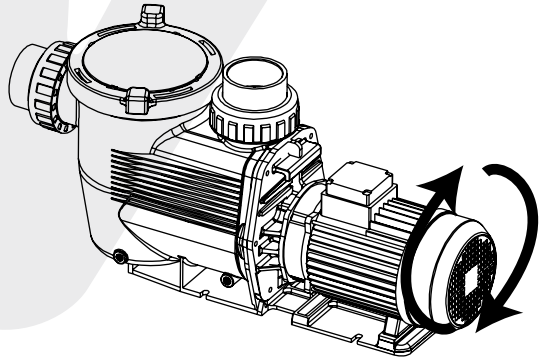
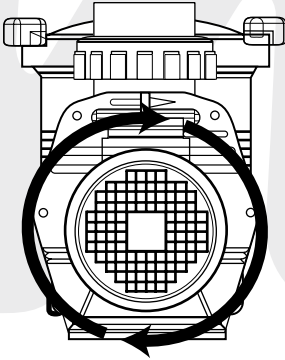
Azul = neutro
Marrón = bajo tensión
Verde/amarillo = a tierra

• TRIFÁSICO



Negro = L3
Azul = L2
Marrón = L1
Verde/amarillo = a tierra

ROTACIÓN DE LA BOMBA TRIFÁSICA



ROTACIÓN EN EL SENTIDO DE LAS
AGUJAS DEL RELOJ

CEBADO

La bomba de Waterco Limited se ceba y se vuelve a cebarse siempre que el recipiente para pelos y fibras esté lleno de agua y haya suficiente suministro desde el punto de succión.

Si pierde agua del recipiente para pelos y fibras, será necesario volver a llenarlo antes de empezar.

1. Quite la tapa transparente y llene con agua el recipiente para pelos y fibras.
2. Reemplace la tapa asegurándose de que **la junta tórica está correctamente** colocada y ponga en marcha la bomba.

A continuación, espere **unos minutos (como máximo)** hasta que la bomba empiece a suministrar agua.

⚠ ADVERTENCIA

La altura de succión elevada o las líneas de succión largas requerirán un tiempo adicional para cebarse y pueden afectar gravemente al rendimiento de la bomba. Si la bomba no se ceba, repita los pasos 1 y 2 anteriores (flujo).

⚠ ADVERTENCIA

Si se dejan funcionar en seco los cierres mecánicos, pueden dañarse rápidamente y puede ser necesario reemplazarlos.

ASEGÚRESE de que siempre haya suficiente agua en el recipiente para pelos y fibras antes de empezar.

Si no puede cebarse la bomba, consulte la guía de solución de problemas.

Asegúrese de que todas las válvulas de *succión* y *descarga* estén abiertas antes de poner en marcha la bomba. Permitir que la bomba funcione con estas válvulas cerradas puede dañar la bomba.

MANTENIMIENTO

La cesta del depurador en el recipiente para pelos y fibras debe comprobarse y limpiarse **periódicamente**.

1. Retire la tapa y levante la cesta.
2. Elimine los residuos y y limpie con una manguera a presión con agua limpia, si es necesario.
3. Compruebe la goma de la tapa, lubrique con grasa a base de **SILICONA** solo si es necesario. Si está dañada, reemplácela.
4. Reemplace el depurador.
5. Vuelva a cebar el recipiente para pelos y fibras.
6. Coloque correctamente la junta tórica.
7. Reemplace solo la tapa (**apriétela manualmente**).
8. Encienda la bomba.

En climas donde la bomba puede estar **expuesta a heladas o congelación**, debe tenerse cuidado para garantizar que la bomba esté protegida frente a daños.

Se recomienda que, si la bomba no se utiliza durante la temporada de invierno, **se drene completamente**.

Waterco Limited suministra tapones de drenaje con este propósito.

No reemplace el tapón de drenaje. Guárdelo en un lugar seguro hasta que necesite usar la bomba.

Un ejemplo sería dentro del recipiente para pelos y fibras.

Si es posible, retire la bomba y guárdela en un lugar seco durante este período.

Cuando vuelva a activar la bomba, asegúrese de que todas las juntas y juntas tóricas estén en condiciones de funcionamiento, vuelva a engrasarlas si es necesario y (reemplácelas) si no está seguro de su estado.

Compruebe que el eje del motor se mueve libremente antes de volver a activar la bomba.

TEMPERATURA DEL LÍQUIDO

La temperatura permitida es **> de 0 °C y < de 35 °C**. La bomba nunca debe ponerse en funcionamiento fuera de este rango de temperaturas, ya que podrían producirse daños.

SERVICIO

Si surge la necesidad o no puede realizar los trabajos de servicio en su bomba Waterco Limited, póngase siempre en contacto con su **agente de servicio autorizado de Waterco Limited** para que le aconseje o realice el servicio in situ.

- *Utilice siempre piezas de repuesto originales de Waterco Limited para el mantenimiento de la bomba.*

ADVERTENCIAS PARA LOS TRABAJOS DE INSTALACIÓN Y MONTAJE

1. Al conectar los cables eléctricos al motor de la bomba, tenga cuidado de colocarlos correctamente dentro de la caja de conexiones, verifique que no queden partes de cable dentro de la caja al cerrarla. **Compruebe que el cable a tierra esté correctamente conectado.** Cuando conecte el motor, siga el diagrama de cableado suministrado con la bomba..
2. **Tenga especial cuidado** de que no entre agua en el motor o en los componentes eléctricos bajo tensión.
3. En caso de que el uso previsto no sea el especificado, pueden ser necesarias adaptaciones y normas técnicas suplementarias.

• ADVERTENCIAS PARA LA PUESTA EN MARCHA

Antes de poner en marcha la bomba, compruebe la calibración de los dispositivos de protección eléctrica del motor y que las protecciones contra los contactos eléctricos y mecánicos estén correctamente colocadas y fijadas.

ADVERTENCIAS PARA LOS TRABAJOS DE MONTAJE Y MANTENIMIENTO

1. **Tenga especial cuidado de que no entre agua en el motor o en los componentes eléctricos bajo tensión.**
2. Evite todo contacto, incluso accidental, con las piezas móviles de la bomba.
3. Espere hasta que la bomba se haya detenido por completo antes de manipularla de cualquier forma.
4. **Antes de realizar trabajos de mantenimiento eléctrico o mecánico, asegúrese de que la máquina se ha desconectado de la red eléctrica y de que los dispositivos de arranque se han bloqueado.**
5. Es aconsejable seguir los pasos que se enumeran a continuación antes de manipular la bomba de cualquier forma.
 - a) Desconecte el voltaje de la bomba.
 - b) Bloquee los dispositivos de arranque.
 - c) Compruebe que no hay voltaje en los circuitos, incluyendo los dispositivos y circuitos auxiliares.
 - d) Espere hasta que el motor se detenga por completo.

La lista anterior debe considerarse indicativa y no vinculante a efectos de seguridad; puede haber normas de seguridad específicas en reglamentos particulares.

Compruebe regularmente:

1. La correcta fijación de piezas mecánicas y de los tornillos de soporte de la bomba.
2. La posición correcta, la fijación y el estado de los cables de suministro y de las piezas aislantes.
3. La temperatura del motor. En caso de cualquier irregularidad detenga la máquina inmediatamente y solicite su reparación.
4. La vibración de la bomba. En caso de cualquier irregularidad, detenga la máquina inmediatamente y solicite su reparación.

Dada la complejidad de los casos cubiertos, las instrucciones de instalación, uso y mantenimiento contenidas en este manual no intentan examinar todos los casos posibles e imaginables de servicio y mantenimiento. Si se requieren instrucciones complementarias o si surgen problemas especiales, no dude en ponerse en contacto con el distribuidor o dirigirse directamente al fabricante de la bomba.

SOLUCIÓN DE PROBLEMAS

SÍNTOMAS	CAUSA PROBABLE	ACCIÓN
1. LA BOMBA NO CEBA	Fuga de aire de succión No hay agua en la bomba Válvulas cerradas o líneas bloqueadas	Asegúrese de que el nivel de agua es correcto a través de los puntos de succión. Asegúrese de que no haya residuos en las cestas y los depuradores. Apriete todos los empalmes/las uniones en el lado de succión de la bomba, quite y reemplace el cierre mecánico. Asegúrese de que el recipiente para pelos y fibras esté lleno. Abra todas las válvulas del sistema, limpie la cesta espumadora y de la bomba, compruebe que el impulsor de la bomba no esté obstruido.
2. EL MOTOR NO FUNCIONA	El motor no tiene energía Bomba atascada	Compruebe que todos los interruptores eléctricos están encendidos. Asegúrese de que los interruptores de circuito estén correctamente fijados. Compruebe si el temporizador está correctamente configurado. Compruebe el cableado del motor en los terminales. Con la corriente desconectada, gire el eje de la bomba (debe girar libremente). Si no lo hace, póngase en contacto con un electricista o con la sucursal de Waterco Limited más cercana para que le presten servicio.
3. CAUDAL BAJO	Filtro sucio Espumadora y depurador de la bomba sucios Fuga de aire de succión Válvula cerrada o línea bloqueada	Realice el retrolavado o limpie el cartucho. Limpie la espumadora y el depurador de la bomba. Véase el punto 1. Véase el punto 1.
4. EL MOTOR EN FUNCIONAMIENTO SE CALIENTA	Voltaje bajo o incorrecto Instalado a plena luz del sol Ventilación deficiente	Solicite a un electricista que repare el suministro. Es normal que al tocar un motor en funcionamiento esté caliente. El protector ante sobrecargas térmicas funcionará para apagarlos si hay una sobrecarga o un problema de temperatura elevada. El ventilador de refrigeración del motor de la bomba tiene que tener una holgura mínima de 150 mm. Prótejalos del clima. No cubra ni encierre con firmeza el motor.
5. FUNCIONAMIENTO RUIDOSO DE LA BOMBA	Mala estanqueidad Fuga de aire en la línea de succión Bloqueo de la línea de succión Materia extraña en el impulsor Cavitaciones	Solicite a un electricista el reemplazo. Véase el punto 1. Localice y elimine la obstrucción. Desmonte la bomba y elimine la materia extraña y los residuos de alrededor del impulsor. Mejore la succión, reduzca la altura de succión, reduzca el número de empalmes, aumente el tamaño de las tuberías, aumente la presión de descarga y reduzca el caudal cerrando la válvula de descarga.
6. LA SOBRECARGA DEL MOTOR SE DISPARA	El motor no está conectado correctamente Bajo voltaje de entrada Sobrecarga debida a un atasco en la bomba o al tamaño incorrecto del impulsor.	Solicite a un electricista que revise el cableado. Solicite a un electricista que compruebe el voltaje, asegúrese de que la bomba no está funcionando con un alargador. Informe a las autoridades sobre el bajo suministro. Contacte con Waterco Limited para que le presten servicio.

Aviso: si la bomba de Waterco Limited se encuentra dentro del período de garantía establecido y detecta fallos, póngase en contacto con su proveedor o con la sucursal de Waterco Limited más cercana para que le asesoren. No hacerlo puede anular la garantía. Consulte la documentación de la garantía suministrada con la bomba.

Todos los trabajos eléctricos deben ser realizados por un electricista cualificado. En ningún caso intente reparar los componentes eléctricos de las bombas de Waterco Limited por su cuenta, salvo que esté cualificado para ello.

目录

一般安全规则	35
位置	36
安装	36
电目录接	37
三相电机	37
接线图	37
初始化	38
维护	39
液体温度	39
检修	39
安装和组装任务警告	40
组装和维护任务警告	40
故障排除	41

一般安全规则

1. 本手册中所述机器专门设计用于泳池水的预过滤和再循环。
2. 它们专门设计用于在不超过 35 摄氏度（95 华氏度）的温度下处理清洁水。
3. 应当根据泳池安全说明，尤其是标准 HD 60384-7-702，以及每种设施的具体说明进行安装。
4. 应当小心遵循事故预防规则。
5. 对水泵进行任何改装需要获得制造商的事先同意。制造商授权的原厂替代零件和配件可确保较高安全水平。水泵制造商对于非授权替代零件和配件造成的损坏和伤害不承担责任。
6. 工作期间，水泵某些零件可能受到危险电压的损坏。仅当每台水泵或与之连接的设备断开市电电源，并且断开启动设备后，才能对其开展工作。
7. 用户应当确保由有资格的授权人员开展组装和维护任务，并且这些人已事先仔细阅读服务和安装说明。
8. 仅当正确遵守安装和服务说明时，水泵的工作安全性才有保障。
9. 技术表中所述限值技术表中所述限值在任何情况下都不能逾越。
10. 若出现带故障运行或故障，请联系制造商的技术支持部门或者最近的授权代理。
11. 若电源线损坏，必须由授权服务代理进行更换。
12. 对于身体、感官或精神状态不佳的人员或者缺乏经验和知识的人员（包括儿童），除非有对其安全负责的人员监督，或者对其进行了关于设备使用的说明介绍，否则不能由其使用该设备。
13. 该设备不可由幼儿使用。应当监管幼儿，确保其不触碰设备。
14. 所有线路工作（电工工作）必须由具备执业资格的电工依照当地法规完成。
15. 若水泵是安装在泳池或池塘边，必须安装一个额定跳闸电流不超过 30mA 的对地漏电断路器。

欧洲境内使用须知

1. 凡肢体能力不健全者、感官迟钝者、心智不健全者、经验知识欠缺者，包括八岁以上儿童，均不宜使用本电器，除非有人负责其安全，在旁照看，或指导其操作。
2. 儿童应有人照看，万勿让儿童摆弄本电器。
3. 若无人在旁照看，切勿让儿童清洁、维护本电器。

~ 重要电气注意事项 ~

电气安装将由持有许可证的电工进行。

每个水泵需要断路器将水泵与供电隔离。在过电压类别 III 条件下，触点分隔必须让所有电极都完全断开。

若水泵将安装在泳池或池塘环境中，必须安装额定跳闸电流不超过 30mA 的接地漏电断路器。

检查水泵铭牌上的以下内容：电压、电流和周期。

对于输入功率大于 1kW 的型号，电线（包括接地线）质量应当达到 60245 IEC 66 (H07RN-F)

对于小于 1kW 输入的型号，质量应当达到 60245 IEC 57 (H05RN-F)。根据 IEC 60364-7-702 要求，所有装置必须符合当地规范。

位置

水泵必须尽可能靠近泳池。水泵必须位于方便定期检修的位置。

必须小心将水泵放在没有积水、通风良好的干燥区域。（水泵电机冷却风扇的安装间隙最小为 150mm）。

安装

Waterco 有限公司采用最新技术设计并制造水泵，安装期间采用一些简单的预防措施将确保多年无故障运行。

1. 水泵吸入管路应当不小于 40mm (1 1/2)。
2. 吸入管路的转弯和弯头要尽可能少。吸入管路中不能有气阱。
3. 仅使用水泵随机提供的水泵筒形管接头。
4. 用螺栓将水泵固定到所需位置（以防移动）。
5. 水泵电缆必须按正确电压接线，并根据接线说明绕圈。
6. 所有接线（电气）工作必须由持有许可证的电工进行，并且必须根据当地规范进行安装。
7. 电机必须接地。
8. 管道和配件的重量将独立支撑，而非由水泵承重。
9. 水泵电机冷却风扇的安装间隙最小为 150mm。

电气连接

确认铭牌上的信息与电源相符。

雇佣有资质的电工以确保接线安装符合水泵安装国家的任何当地/国家法规。澳大利亚和新西兰的国家布线法规是AS/NZS 3000。

三相电机不带内置型热保护器，需要一个**保险丝断路器或断路器**。

根据铭牌标注的电流安装和设置安全设备

单相电机带有内置型热过载开关。

三相电机

除熔断式断路器外，三相电机需要带有正确规格过载保护的启动器开关或磁性启动器。

检查三相电机的转动。

电机仅适合于顺时针运转（从电机末端风扇（整流罩）盖看）。

三相电机可在任一方向转动。更改三相电机上的任意 2 根电线将逆转转动方向。为了检查电机转动情况，打开约 1 秒。若反方向运行，关闭电源并交换任意 2 根电线，重复上述步骤进行检查。

安装三相水泵时，必须为用永久安装提供单独的装置，这样水泵才能与市电隔离。三相电机和单相装置都要求每个电极 3mm 的触点距离。

必须根据电机的标称电流安装电机保护装置。参见额定值铭牌上的值。

用户有责任确保电机和电源之间有充分的保护装置。

安装人必须保护电机电源的所有三相，以便水泵能仅在单相或两相上运行。

警告

断开电气连接之前，关闭电源：

例如：熔断器或断路器箱。对水泵开展工作之前，确保水泵开关或计时器已关闭，并且确保市电电源已关闭。

接线图

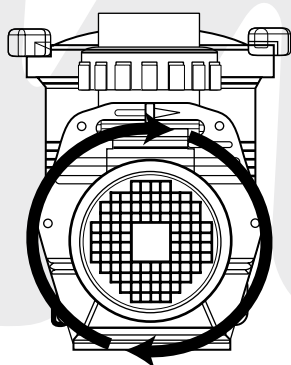
• 单相



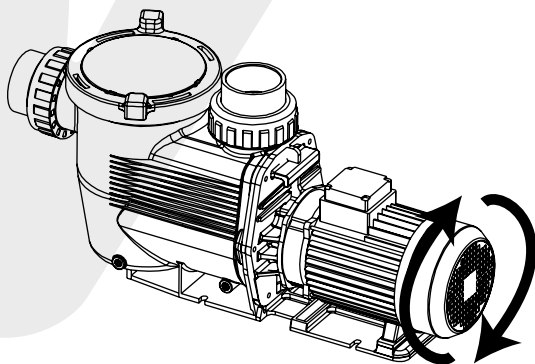
• 三相



- 三相水泵的转动



顺时针转动



初始化

若毛发滤碗装满水，并且吸入点有充足的供水，Waterco 水泵将进行初始化和再次初始化。

若倒掉毛发滤碗中的水，启动之前有必要重新注水。

1. 取下透明盖，向毛发滤碗中注水。
2. 更换盖子，确保 O 型圈位置正确，启动水泵。

完成后，等待几分钟（最多），让水泵开始送水。

警告

高吸入扬程或长吸入管路将需要更多的时间进行初始化，并且会严重影响水泵性能。若水泵不初始化，（按顺序）重复上述步骤 1 和 2。

警告

若在干燥条件下运行，机械密封将很快损坏，可能需要更换。

确保启动之前，毛发滤碗中始终有足够的水。

若水泵不能进行初始化，请参见故障排除指南。

启动水泵前，确保打开所有吸入和排水阀门，使用水泵时若这些阀门关闭则会损坏水泵。

维护

应当定期检查并清洗毛发滤碗中的滤篮。

1. 取下盖子，拿出滤篮。
2. 必要时，用清水清理碎屑和软管。
3. 检查盖子滤篮，按需仅使用硅基油脂润滑。
若已损坏，进行更换。
4. 更换滤网。
5. 重新准备毛发滤碗。
6. 正确放置 O 型圈。
7. 仅更换盖子（手动拧紧）
8. 打开水泵。

在水泵可能暴露在结霜或结冰的天气条件下，必须小心确保正确保护水泵，以免损害。

建议冬天不使用水泵时，完全排空其中的余水。

Waterco 有限公司可提供专用排水塞。

请勿更换排水塞。将其存放在安全位置，直到需要使用水泵。

例如可以放在毛发滤碗的篮子中。

若可能，在此期间拆下水泵，并放在干燥位置。

重新启动水泵时，确保所有密封件和 O 型圈都处于可使用状态，若有必要，重新上油，若不确定是否可用，则（更换）。

- 重新启动前，检查电机轴是否可以自由移动。

液体温度

允许温度高于 0°C，并不超过 35°C。水泵不可在此温度范围以外工作，否则可能损坏。

检修

若有必要，或者您无法检修 Waterco 水泵，请联系您的 Waterco 有限公司的授权服务代理，以获取建议或现场检修。

- 开展水泵维护时，始终使用正品 Waterco 替代零件。

安装和组装任务警告

1. 将电缆连接到水泵电机时，务必使其在接线盒内合理安排，确保关闭接线盒时没有电缆屑留在其中。查看接地线是否正确连接。连接电机时，遵循水泵的随机接线图。
2. 特别注意，带电电机或电气零件不能进水。
3. 若不按预计用途使用，可能需要进行改装和补充技术规则。

• 启动警告

启动水泵前，核实电机的电气保护装置校准，电气和机械触点保护装置已正确定位和连接。

组装和维护任务警告

1. 特别注意，带电电机或电气零件不能进水。
2. 避免所有触点带有水泵活动零件，即使是意外情况也不例外。
3. 等待直到水泵完全停止，再进行处理。
4. 在进行任何电气或机械维护任务之前，确保机器已断开市电，并且启动装置已被锁定。
5. 建议在以任何方式处理水泵之前，遵循下述步骤。
 - a) 关闭水泵电压。
 - b) 锁定启动装置。
 - c) 核实电路不带电压，包括辅助设备和辅助电路。
 - d) 等待电机完全停止。

上述列表应当视为指示性的，而非安全强制要求；特定法规中可能有具体安全规定。

定期检查：

1. 机械零件和水泵支持螺钉正确连接
2. 电源线和隔离零件的正确位置、连接和状态。
3. 电机温度。若出现任何异常，立即停止机器，应进行维修。
4. 水泵振动。若出现任何异常，立即停止机器，应进行维修。

由于涉及的情况复杂，本手册中的安装、使用和维护说明不会介绍所有可能的或者想象的服务和维修情况。若需要补充说明，或者出现特定问题，请立即联系分销商，或者直接联系水泵制造商。

故障排除

现象	可能的原因	措施
1. 水泵不进行初始化	吸入空气泄漏 水泵中无水 阀门关闭或者管路堵塞	确保通过吸入点的水位正确。确保滤篮和滤网没有碎屑。拧紧水泵吸入侧的所有配件 / 接头，取下并更换机械密封。 确保毛发滤碗已满。 打开系统中的所有阀门，清洁撇渣器和水泵滤篮，检查水泵叶轮是否堵塞。
2. 电机不运行	电机不通电 水泵受阻	检查是否所有电气开关已打开。确保电路断路器已正确设置。检查计时器设置是否正确。检查电机的端子接线。 关闭电源后，转动水泵轴（应当可自由转动）。否则，联系电工或者最近的 Waterco 有限公司分公司进行维修。
3. 流速低	过滤器脏 撇渣器和水泵滤网脏 吸入空气泄漏 阀门关闭或者管路堵塞	反冲洗或清洁滤盒。 清洁撇渣器和水泵滤网。 参见 1。 参见 1。
4. 电机运行过热	电压低或者有误 安装在阳光直射的位置 通风不良	由电工更正电源。 电机运行过热，无法触碰，这是正常现象。若出现过载或高温问题，热过载保护装置将起作用，将其关闭。 水泵电机冷却风扇的安装间隙最小为150mm。 防风雨保护。 不可严实盖住或封闭电机。
5. 水泵有噪音运行	轴承异常 吸入空气泄漏 吸入堵塞 叶轮有异物 气阱	请电工更换。 参见 1。 定位并清理堵塞。 拆卸水泵，取出叶轮周围的异物和碎屑。 通过节流排气阀提高吸入，降低吸入扬程，减少配件数量，增加管道尺寸，增加排放压力并降低流量。
6. 电机过载停机	电机未正确连接 低输入电压 由于水泵内粘合物或叶轮尺寸不正确造成过载	请电工检查接线。 请电工检查电压，确保水泵工作时不使用延长线。向相关部门报告低电压。 联系 Waterco 有限公司以进行维修。

警告：若在 Waterco 水泵的所述质保期内出现故障，请务必联系您的供应商或最近的 Waterco 有限公司分公司，以获取建议。否则将使质保无效。参见水泵的随机质保文档。

所有电气工作应由有资质的电工开展；任何情况下，您都不可尝试维修 Waterco 水泵的任何电气组件，除非您有相关资质。

Note / Note / Hinweis / Nota / 备注:

Note / Note / Hinweis / Nota / 备注:

OFFICES - AUSTRALIA
BUREAUX - AUSTRALIE
NIEDERLASSUNGEN - AUSTRALIEN
OFICINAS - AUSTRALIA
澳大利亚办事处

NSW - SYDNEY
HEAD OFFICE
SIÈGE SOCIAL
FIRMENSITZ
OFICINA CENTRAL
总部
Tel : +61 2 9898 8600

VIC/TAS - MELBOURNE
Tel : +61 3 9764 1211

WA - PERTH
Tel : +61 8 9273 1900

QLD - BRISBANE
Tel : +61 7 3299 9900

SA/NT - ADELAIDE
Tel : +61 8 8244 6000

ACT DISTRIBUTOR
Tel : +61 2 6280 6476

OFFICES - OVERSEAS
BUREAUX - MONDE
NIEDERLASSUNGEN - INTERNATIONAL
OFICINAS - EXTRANJERO
海外办事处

WATERCO (EUROPE) LIMITED
SITTINGBOURNE, KENT, UK
TEL : +44 (0) 1795 521 733

WATERCO USA
AUGUSTA, USA
TEL : +1 706 793 7291

WATERCO CANADA
BOUCHERVILLE, QUEBEC, CANADA
TEL : +1 450 748 1421

WATERCO (NZ) LIMITED
AUCKLAND, NEW ZEALAND
TEL : +64 9 525 7570

WATERCO (C) LIMITED
GUANGZHOU, CHINA
TEL : +8620 3222 2180

WATERCO (FAR EAST) SDN BHD
SELANGOR, MALAYSIA
TEL : +60 3 6145 6000

PT WATERCO INDONESIA
JAKARTA, INDONESIA
TEL : +62 21 4585 1481

WATERCO SINGAPORE INTL PTE LTD
NEHSONS BUILDING, SINGAPORE
TEL : +65 6344 2378

WATERCO

Waterco Limited ABN 62 002 070 733

